

# 100 LP



Axial decorative fans with a short air duct 50 mm long for exhaust ventilation

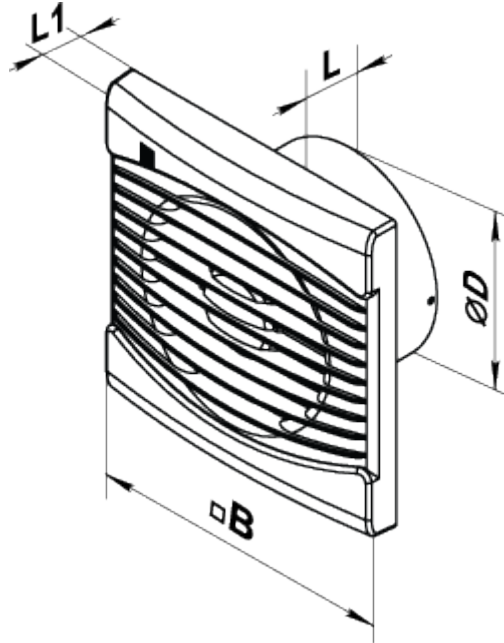
- Maximum airflow: 94
- Sound pressure level LpA at 3 m: 36
- Motor type: AC
- Casing material: Plastic
- Temperature sensor: N/A

|                                 | Unit of measurement | 100 LP |
|---------------------------------|---------------------|--------|
| Connected air duct size         | mm                  | 100    |
| Speed                           | -                   | 1      |
| Minimum supply voltage          | V                   | 220    |
| Maximum supply voltage          | V                   | 240    |
| Power supply frequency          | Hz                  | 50/60  |
| Rated power                     | W                   | 14     |
| Unit current                    | A                   | 0.097  |
| Maximum airflow                 | m <sup>3</sup> /h   | 94     |
| rotation speed at 50hz          | -                   | 2400   |
| Sound pressure level LpA at 3 m | dB(A)               | 36     |
| Weight                          | kg                  | 0.55   |
| Ambient air temperature min     | °C                  | 1      |
| Ambient air temperature max     | °C                  | 40     |
| Ingress protection rating       | -                   | IP24   |

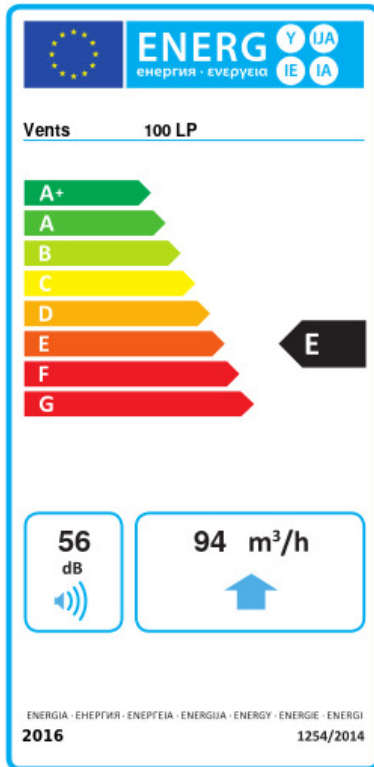


## Dimensions

| $\varnothing D$ | B   | L  | L1 |
|-----------------|-----|----|----|
| 100             | 154 | 50 | 22 |



## Ecodesign



|   |                |   |         |   |      |   |
|---|----------------|---|---------|---|------|---|
| Trademark   | Vents          |   |         |   |      |   |
| Model   | 100 LP         |   |         |   |      |   |
| Specific energy consumption (SEC) (kWh/(m <sup>2</sup> /a)) | Cold           |   | Average |   | Warm |   |
|   | 28.9           | B | 12.5    | E | 3.1  | F |
| Type of ventilation unit                                    | Unidirectional |   |         |   |      |   |
| Type of drive installed                                     | Single speed   |   |         |   |      |   |
| Type of heat recovery system                                | None           |   |         |   |      |   |
| Maximum flow rate (m <sup>3</sup> /h)                       | 94             |   |         |   |      |   |
| Electric power input (W)                                    | 14             |   |         |   |      |   |
| Reference flow rate (m <sup>3</sup> /s)                     | 0.018          |   |         |   |      |   |
| Specific power input (SPI) (W/(m <sup>3</sup> /h))          | 0.149          |   |         |   |      |   |
| Control typology  | Manual control |   |         |   |      |   |
| Maximum external leakage rates (%)                          | 2.7            |   |         |   |      |   |
| Sound power level (dB(A))                                   | 56             |   |         |   |      |   |
| Declared typology   | RVU UVU        |   |         |   |      |   |
| The annual electricity consumption (AEC) (kWh/a)            | Cold           |   | Average |   | Warm |   |
|   | 187            |   | 187     |   | 187  |   |
| The annual heating saved (AHS) (kWh/a)                      | Cold           |   | Average |   | Warm |   |
|   | 3355           |   | 1715    |   | 776  |   |