

# 100 LP (220 V/60 Hz) VT

Axial decorative fans with a short air duct 50 mm long for exhaust ventilation

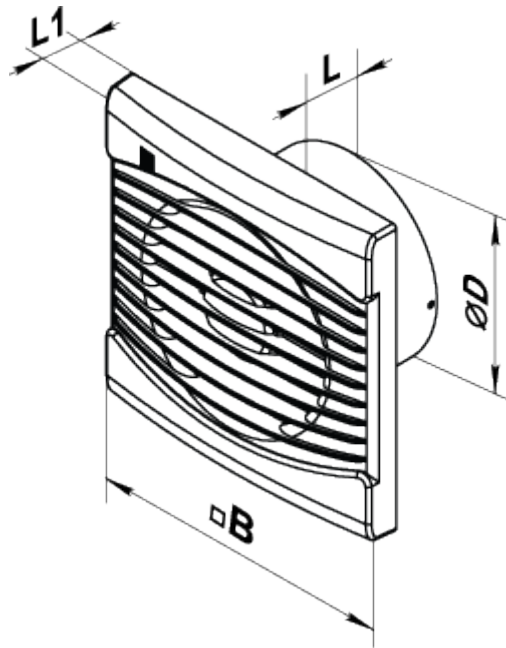
- Motor type: AC
- Casing material: Plastic
- Pull cord
- Temperature sensor: N/A
- Timer: Turn off timer



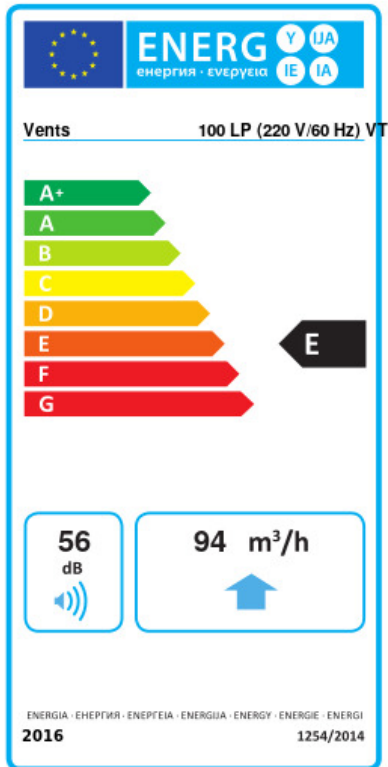
	Unit of measurement	100 LP (220 V/60 Hz) VT
Connected air duct size	mm	100
Speed	-	1
Minimum supply voltage	V	220
Maximum supply voltage	V	220
Power supply frequency	Hz	60
Rated power	W	
Unit current	A	
Maximum airflow	m <sup>3</sup> /h	
rotation speed at 50hz	-	
Sound pressure level LpA at 3 m	dB(A)	
Weight	kg	0.55
Ambient air temperature min	°C	1
Ambient air temperature max	°C	40
Ingress protection rating	-	IP24

## Dimensions

$\varnothing D$	B	L	L1
100	154	50	22



## Ecodesign



Trademark	Vents					
Model	100 LP (220 V/60 Hz) VT					
Specific energy consumption (SEC) (kWh/(m <sup>2</sup> /a))	Cold		Average		Warm	
	28.9	B	12.5	E	3.1	F
Type of ventilation unit	Unidirectional					
Type of drive installed	Single speed					
Type of heat recovery system	None					
Maximum flow rate (m <sup>3</sup> /h)	94					
Electric power input (W)	14					
Reference flow rate (m <sup>3</sup> /s)	0.018					
Specific power input (SPI) (W/(m <sup>3</sup> /h))	0.149					
Control typology	Manual control					
Maximum external leakage rates (%)	2.7					
Sound power level (dB(A))	56					
Declared typology	RVU UVU					
The annual electricity consumption (AEC) (kWh/a)	Cold		Average		Warm	
	187		187		187	
The annual heating saved (AHS) (kWh/a)	Cold		Average		Warm	
	3355		1715		776	