

100 M T L



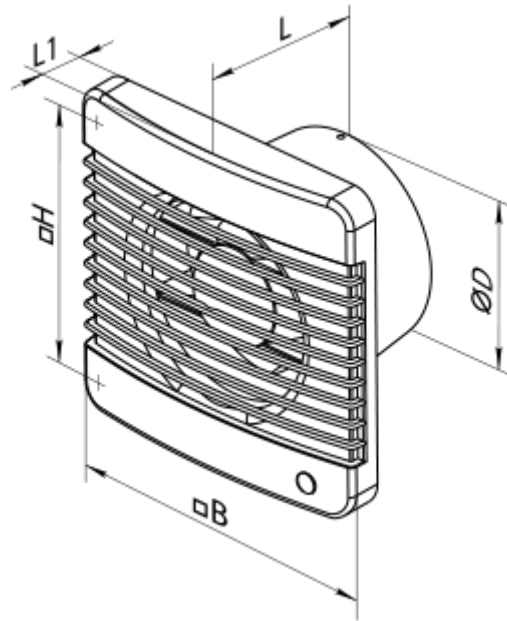
Axial fans for exhaust ventilation

- Maximum airflow: 102
- Sound pressure level LpA at 3 m: 38
- Motor type: AC
- Casing material: Plastic
- Backdraft protection: Backdraft damper
- Motion sensor
- Pull cord
- Humidity sensor

	Unit of measurement	100 M T L
Connected air duct size	mm	100
Speed	-	1
Minimum supply voltage	V	220
Maximum supply voltage	V	240
Power supply frequency	Hz	50
Rated power	W	14
Unit current	A	0.085
Maximum airflow	m ³ /h	102
Sound pressure level LpA at 3 m	dB(A)	38
Weight	kg	0
Ambient air temperature min	°C	0
Ambient air temperature max	°C	0
Ingress protection rating	-	IP34



Dimensions

ØD	B	H	L	L1
100	159	135	88.5	23

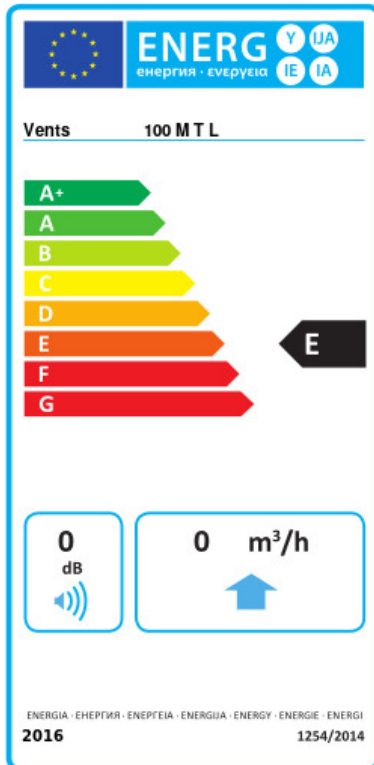


Accessories

Flanges

Name	Photo	Description
KO_100		Back valve is designed for domestic fan series VENTS M, M1, D, S, M3, X, X1, LD, LD Fresh time, Silenta-M, Silenta-S, Modern, Vitro star, Z star, X star
FO_100		The window flange applicable for all VENTS fans except for VKO, VKO1, iFan, Quiet, MAO, CF

Ecodesign



Trademark	Vents		
Model	100 M T L		
Specific energy consumption (SEC) (kWh/(m ² /a))	Cold	Average	Warm
	0 B	0 E	0 F
Type of ventilation unit	Unidirectional		
Type of drive installed	Single speed		
Type of heat recovery system	None		
Maximum flow rate (m ³ /h)	0		
Electric power input (W)	0		
Reference flow rate (m ³ /s)	0		
Specific power input (SPI) (W/(m ³ /h))	0		
Control typology	Manual control		
Maximum external leakage rates (%)	0		
Declared typology	RVU UVU		
Sound power level (dB(A))	0		
The annual electricity consumption (AEC) (kWh/a)	Cold	Average	Warm
	0	0	0
The annual heating saved (AHS) (kWh/a)	Cold	Average	Warm
	0	0	0