

# 100 M TH L press



Axial fans for exhaust ventilation

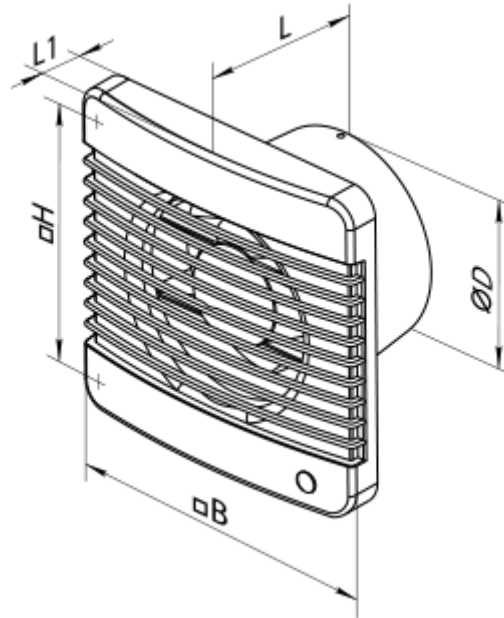
- Maximum airflow: 99
- Sound pressure level LpA at 3 m: 37
- Motor type: AC
- Casing material: Plastic
- Humidity sensor
- Timer: Turn off timer

	Unit of measurement	100 M TH L press
Connected air duct size	mm	100
Speed	-	1
Minimum supply voltage	V	220
Maximum supply voltage	V	240
Power supply frequency	Hz	50/60
Rated power	W	16
Unit current	A	0.1
Maximum airflow	m <sup>3</sup> /h	99
Sound pressure level LpA at 3 m	dB(A)	37
Weight	kg	0.65
Ambient air temperature min	°C	1
Ambient air temperature max	°C	40
Ingress protection rating	-	IP34





## Dimensions

$\varnothing D$	B	H	L	L1
100	159	135	88.5	23

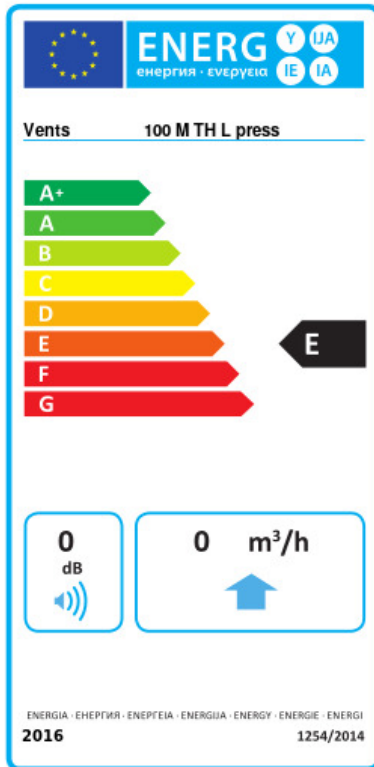


## Accessories

### Flanges

Name	Photo	Description
<a href="#">KO_100</a>		Back valve is designed for domestic fan series VENTS M, M1, D, S, M3, X, X1, LD, LD Fresh time, Silenta-M, Silenta-S, Modern, Vitro star, Z star, X star
<a href="#">FO_100</a>		The window flange applicable for all VENTS fans except for VKO, VKO1, iFan, Quiet, MAO, CF

## Ecodesign



Trademark	Vents		
Model	100 M TH L press		
Specific energy consumption (SEC) (kWh/(m <sup>2</sup> /a))	Cold	Average	Warm
	0 B	0 E	0 F
Type of ventilation unit	Unidirectional		
Type of drive installed	Single speed		
Type of heat recovery system	None		
Maximum flow rate (m <sup>3</sup> /h)	0		
Electric power input (W)	0		
Reference flow rate (m <sup>3</sup> /s)	0		
Specific power input (SPI) (W/(m <sup>3</sup> /h))	0		
Control typology	Manual control		
Maximum external leakage rates (%)	0		
Sound power level (dB(A))	0		
Declared typology	RVU UVU		
The annual electricity consumption (AEC) (kWh/a)	Cold	Average	Warm
	0	0	0
The annual heating saved (AHS) (kWh/a)	Cold	Average	Warm
	0	0	0