

# 100 M turbo



Axial fans for exhaust ventilation

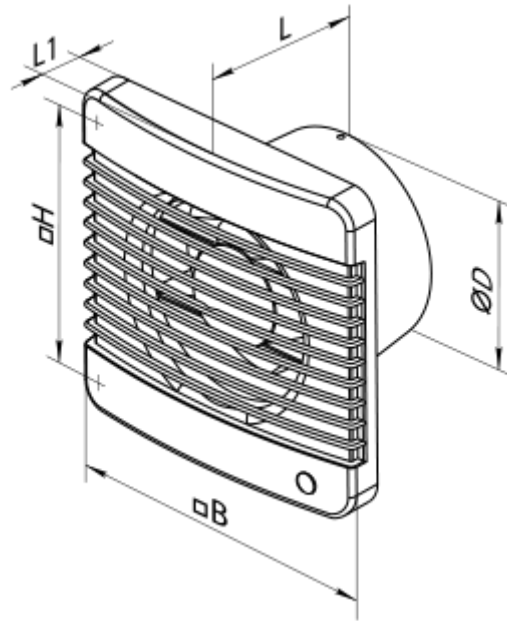
- Maximum airflow: 128
- Sound pressure level LpA at 3 m: 37
- Motor type: AC
- Casing material: Plastic

	Unit of measurement	100 M turbo
Connected air duct size	mm	100
Speed	-	1
Minimum supply voltage	V	220
Maximum supply voltage	V	240
Power supply frequency	Hz	50/60
Rated power	W	16
Unit current	A	0.1
Maximum airflow	m <sup>3</sup> /h	128
Sound pressure level LpA at 3 m	dB(A)	37
Weight	kg	0.57
Ambient air temperature min	°C	1
Ambient air temperature max	°C	40
Ingress protection rating	-	IP34





### Dimensions

∅D	B	H	L	L1
100	159	135	88.5	23

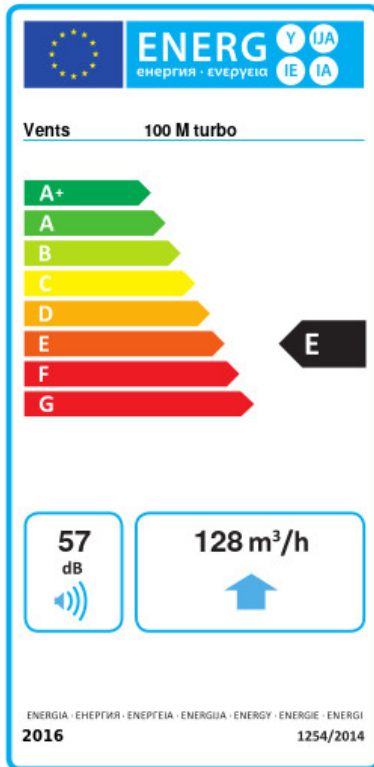


## Accessories

### Flanges

Name	Photo	Description
<a href="#">KO_100</a>		Back valve is designed for domestic fan series VENTS M, M1, D, S, M3, X, X1, LD, LD Fresh time, Silenta-M, Silenta-S, Modern, Vitro star, Z star, X star
<a href="#">FO_100</a>		The window flange applicable for all VENTS fans except for VKO, VKO1, iFan, Quiet, MAO, CF

## Ecodesign



Trademark	Vents					
Model	100 M turbo					
Specific energy consumption (SEC) (kWh/(m <sup>2</sup> /a))	Cold		Average		Warm	
	-29.6	B	-13.2	E	-3.8	F
Type of ventilation unit	Unidirectional					
Type of drive installed	Single speed					
Type of heat recovery system	None					
Maximum flow rate (m <sup>3</sup> /h)	128					
Electric power input (W)	16					
Reference flow rate (m <sup>3</sup> /s)	0.025					
Specific power input (SPI) (W/(m <sup>3</sup> /h))	0.125					
Control typology	Manual control					
Maximum external leakage rates (%)	2.7					
Declared typology	RVU UVU					
Sound power level (dB(A))	57					
The annual electricity consumption (AEC) (kWh/a)	Cold		Average		Warm	
	157		157		157	
The annual heating saved (AHS) (kWh/a)	Cold		Average		Warm	
	3355		1715		776	