

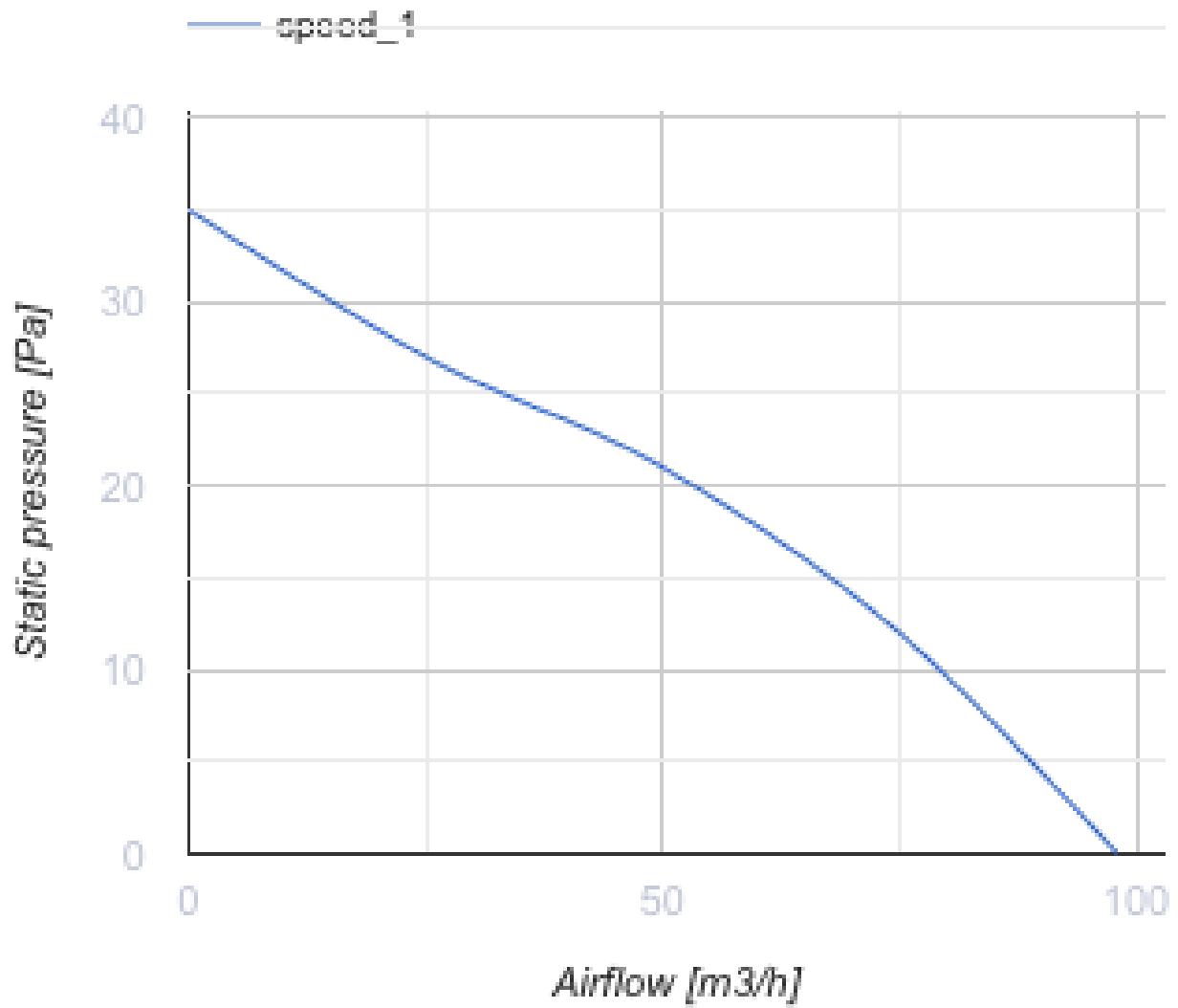
100 M1 T L



Axial fans for exhaust ventilation

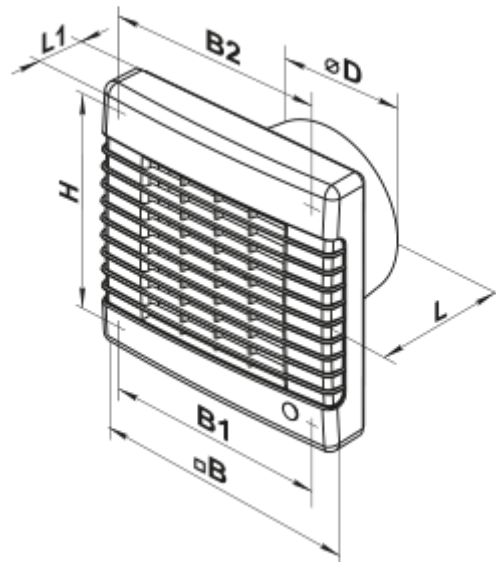
- Maximum airflow: 98
- Sound pressure level LpA at 3 m: 34
- Motor type: AC
- Casing material: Plastic
- Timer: Turn off timer

	Unit of measurement	100 M1 T L
Connected air duct size	mm	100
Speed	-	1
Minimum supply voltage	V	220
Maximum supply voltage	V	240
Power supply frequency	Hz	50/60
Rated power	W	14
Unit current	A	0.085
Maximum airflow	m ³ /h	98
Sound pressure level LpA at 3 m	dB(A)	34
Weight	kg	0.51
Ambient air temperature min	°C	1
Ambient air temperature max	°C	40
Ingress protection rating	-	IP34





Dimensions

ØD	B	B1	B2	H	L	L
100	165	150	150	150	92	32



Accessories

Flanges

Name	Photo	Description
FO 100		The window flange applicable for all VENTS fans except for VKO, VKO1, iFan, Quiet, MAO, CF
KO 100		Back valve is designed for domestic fan series VENTS M, M1, D, S, M3, X, X1, LD, LD Fresh time, Silenta-M, Silenta-S, Modern, Vitro star, Z star, X star

Ecodesign



Trademark	Vents					
Model	100 M1 T L					
Specific energy consumption (SEC) (kWh/(m ² /a))	Cold		Average		Warm	
	0	B	0	E	0	F
Type of ventilation unit	Unidirectional					
Type of drive installed	Multi-speed					
Type of heat recovery system	None					
Maximum flow rate (m ³ /h)	0					
Electric power input (W)	0					
Reference flow rate (m ³ /s)	0					
Specific power input (SPI) (W/(m ³ /h))	0					
Control typology	Manual control					
Maximum external leakage rates (%)	0					
Declared typology	RVU UVU					
Sound power level (dB(A))	0					
The annual electricity consumption (AEC) (kWh/a)	Cold		Average		Warm	
	0		0		0	
The annual heating saved (AHS) (kWh/a)	Cold		Average		Warm	
	0		0		0	