

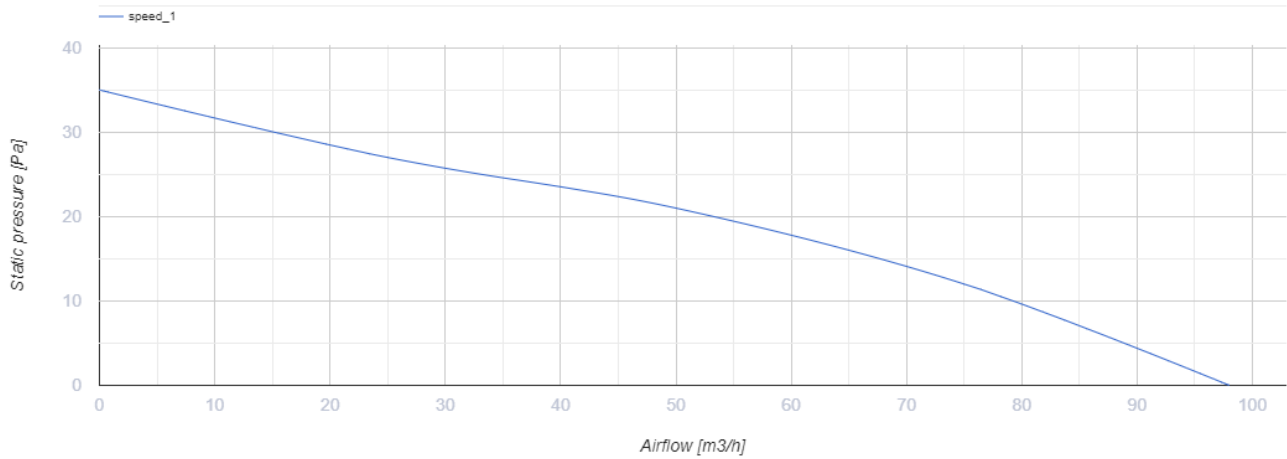
# 100 M1 TH



Axial fans for exhaust ventilation

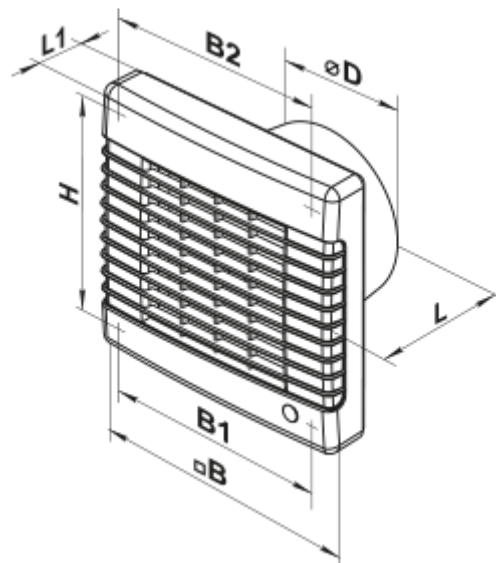
- Maximum airflow: 98
- Sound pressure level LpA at 3 m: 34
- Motor type: AC
- Casing material: Plastic
- Humidity sensor
- Timer: Turn off timer

	Unit of measurement	100 M1 TH
Connected air duct size	mm	100
Speed	-	1
Minimum supply voltage	V	220
Maximum supply voltage	V	240
Power supply frequency	Hz	50/60
Rated power	W	14
Unit current	A	0.085
Maximum airflow	m <sup>3</sup> /h	98
Sound pressure level LpA at 3 m	dB(A)	34
Weight	kg	0.51
Ambient air temperature min	°C	1
Ambient air temperature max	°C	40
Ingress protection rating	-	IP34



## Dimensions

ØD	B	B1	B2	H	L	L1
100	165	150	150	150	92	32



## Accessories

### Flanges

Name	Photo	Description
<a href="#">FO 100</a>		The window flange applicable for all VENTS fans except for VKO, VKO1, iFan, Quiet, MAO, CF
<a href="#">KO 100</a>		Back valve is designed for domestic fan series VENTS M, M1, D, S, M3, X, X1, LD, LD Fresh time, Silenta-M, Silenta-S, Modern, Vitro star, Z star, X star

## Ecodesign



Trademark	Vents					
Model	100 M1 TH					
Specific energy consumption (SEC) (kWh/(m <sup>2</sup> /a))	Cold		Average		Warm	
	0	B	0	E	0	F
Type of ventilation unit	Unidirectional					
Type of drive installed	Multi-speed					
Type of heat recovery system	None					
Maximum flow rate (m <sup>3</sup> /h)	0					
Electric power input (W)	0					
Reference flow rate (m <sup>3</sup> /s)	0					
Specific power input (SPI) (W/(m <sup>3</sup> /h))	0					
Control typology	Manual control					
Maximum external leakage rates (%)	0					
Sound power level (dB(A))	0					
Declared typology	RVU UVU					
The annual electricity consumption (AEC) (kWh/a)	Cold		Average		Warm	
	0		0		0	
The annual heating saved (AHS) (kWh/a)	Cold		Average		Warm	
	0		0		0	