

# 100 MA T



Axial fans with automatic louver shutters for exhaust ventilation

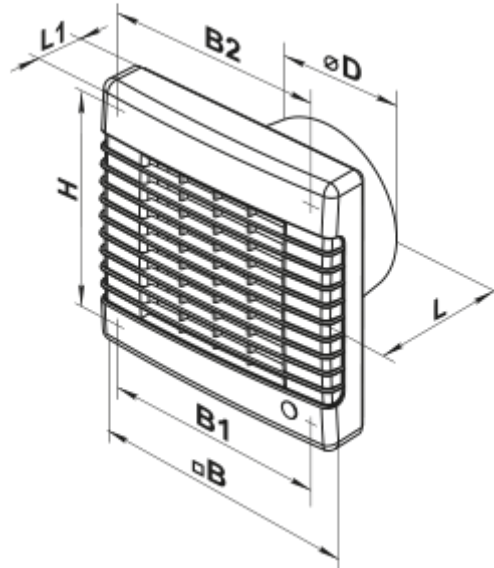
- Maximum airflow: 98
- Sound pressure level LpA at 3 m: 34
- Motor type: AC
- Casing material: Plastic
- Timer: Turn off timer

	Unit of measurement	100 MA T
Connected air duct size	mm	100
Speed	-	1
Minimum supply voltage	V	220
Maximum supply voltage	V	240
Power supply frequency	Hz	50
Rated power	W	18
Unit current	A	0.085
Maximum airflow	m <sup>3</sup> /h	98
Sound pressure level LpA at 3 m	dB(A)	34
Weight	kg	0.65
Ambient air temperature min	°C	1
Ambient air temperature max	°C	40
Ingress protection rating	-	IP24




## Dimensions

$\varnothing D$	B	B1	B2	H	L	L1
100	165	150	150	150	92	32



## Accessories

### Flanges

Name	Photo	Description
<a href="#">FO_100</a>		The window flange applicable for all VENTS fans except for VKO, VKO1, iFan, Quiet, MAO, CF