

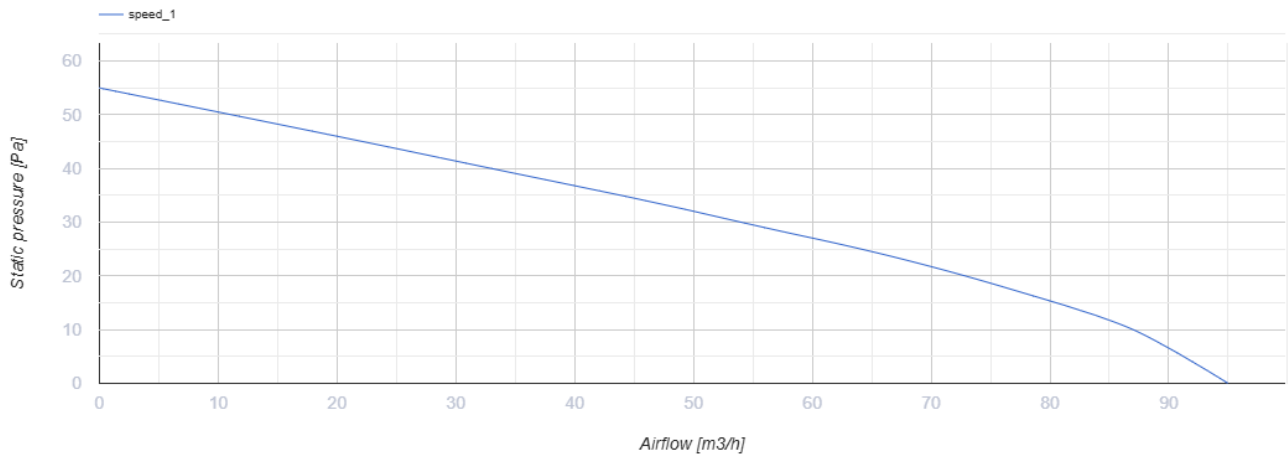
100 MF One TH L



Low-noise and energy-saving axial fan for exhaust ventilation suitable for use in Zone 1

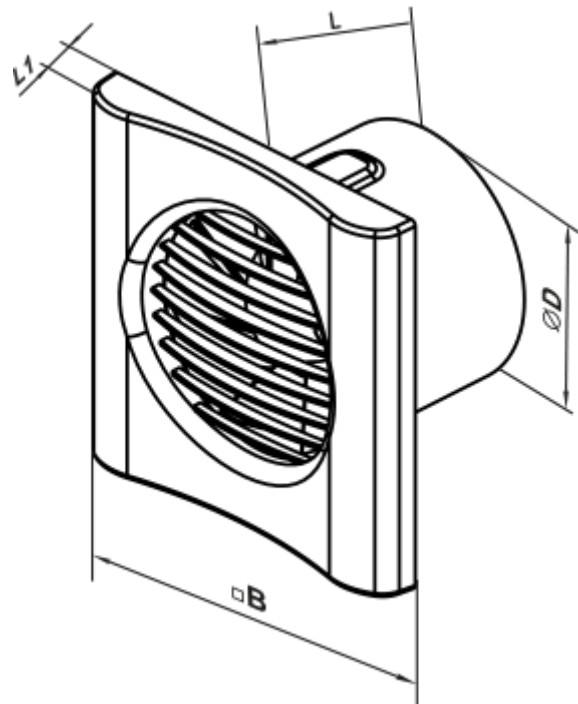
- Maximum airflow: 95
- Sound pressure level LpA at 3 m: 27
- Motor type: AC
- Impeller type: Mixed-flow
- Casing material: ABS Plastic
- Backdraft protection: Manual shutters
- Humidity sensor
- Timer: Turn off timer

	Unit of measurement	100 MF One TH L
Connected air duct size	mm	100
Speed	-	1
Minimum supply voltage	V	220
Maximum supply voltage	V	240
Power supply frequency	Hz	50
Rated power	W	8
Unit current	A	0.05
Maximum airflow	m ³ /h	95
Sound pressure level LpA at 3 m	dB(A)	27
Weight	kg	0.45
Ambient air temperature min	°C	1
Ambient air temperature max	°C	40
Ingress protection rating	-	IP44 Zone 1




Dimensions

D	B	L	L1
99	150	79	19



Accessories

Flanges

Name	Photo	Description
FO_100		The window flange applicable for all VENTS fans except for VKO, VKO1, iFan, Quiet, MAO, CF