

# 100 PF1 T



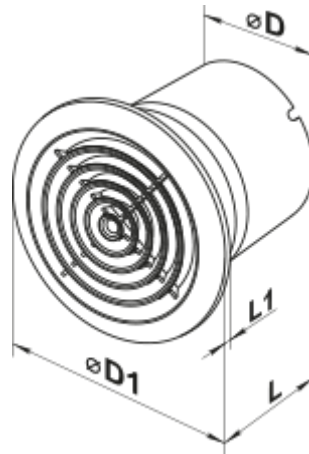
Axial fans for exhaust ventilation

- Maximum airflow: 100
- Sound pressure level LpA at 3 m: 33
- Motor type: AC
- Casing material: Plastic
- Timer: Turn off timer

	Unit of measurement	100 PF1 T
Connected air duct size	mm	100
Speed	-	1
Minimum supply voltage	V	220
Maximum supply voltage	V	240
Power supply frequency	Hz	50/60
Rated power	W	14
Unit current	A	0.085
Maximum airflow	m <sup>3</sup> /h	100
Sound pressure level LpA at 3 m	dB(A)	33
Weight	kg	0.47
Ambient air temperature min	°C	1
Ambient air temperature max	°C	40
Ingress protection rating	-	IP34


## Dimensions

Ø D	Ø D1	L	L1
100	141	128	13



## Accessories

### Cooker Hoods

Name	Photo	Description
<a href="#">FO 100</a>		The window flange applicable for all VENTS fans except for VKO, VKO1, iFan, Quiet, MAO, CF