

100 S V L



Axial fans for exhaust ventilation

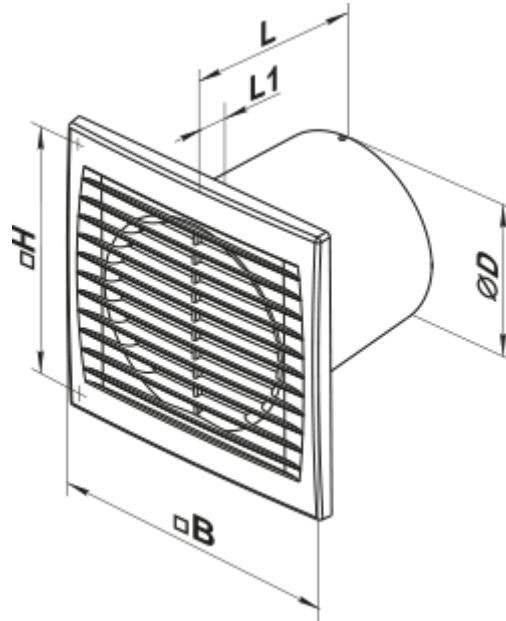
- Maximum airflow: 95
- Sound pressure level LpA at 3 m: 34
- Motor type: AC
- Casing material: Polypropylene/Thermoplastic elastomer
- Pull cord

| | Unit of measurement | 100 S V L |
|---------------------------------|---------------------|-----------|
| Connected air duct size | mm | 100 |
| Speed | - | 1 |
| Minimum supply voltage | V | 220 |
| Maximum supply voltage | V | 240 |
| Power supply frequency | Hz | 50 |
| Rated power | W | 14 |
| Unit current | A | 0.085 |
| Maximum airflow | m ³ /h | 95 |
| Sound pressure level LpA at 3 m | dB(A) | 34 |
| Weight | kg | 0.58 |
| Ambient air temperature min | °C | 1 |
| Ambient air temperature max | °C | 40 |
| Ingress protection rating | - | IP34 |





Dimensions

| ∅ D | B | H | L | L1 |
|------------|----------|----------|----------|-----------|
| 100 | 150 | 120 | 108 | 12 |



Accessories

Flanges

| Name | Photo | Description |
|------------------------|---|--|
| FO_100 |  | The window flange applicable for all VENTS fans except for VKO, VKO1, iFan, Quiet, MAO, CF |
| KO_100 |  | Back valve is designed for domestic fan series VENTS M, M1, D, S, M3, X, X1, LD, LD Fresh time, Silenta-M, Silenta-S, Modern, Vitro star, Z star, X star |