

# 100 Silenta-STH



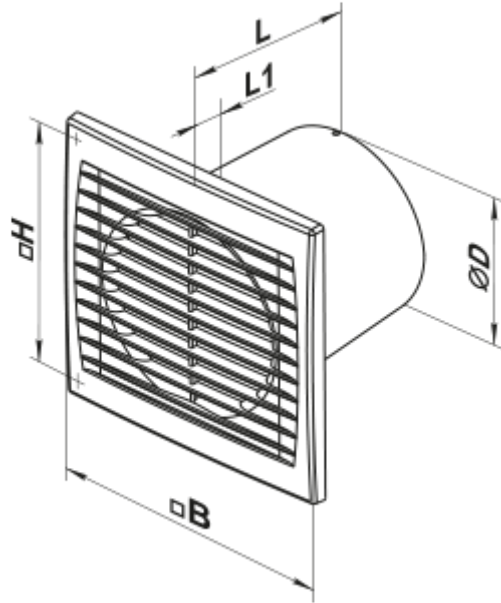
Quiet axial extract fans with thin front panels

- Maximum airflow: 78
- Sound pressure level LpA at 3 m: 26
- Motor type: AC
- Impeller type: Axial
- Casing material: Plastic
- Humidity sensor
- Timer: Turn off timer

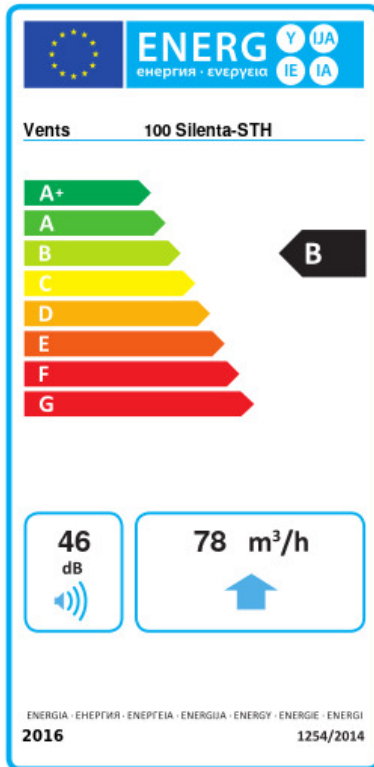
	Unit of measurement	100 Silenta-STH
Connected air duct size	mm	100
Speed	-	1
Minimum supply voltage	V	220
Maximum supply voltage	V	240
Power supply frequency	Hz	50/60
Rated power	W	7
Unit current	A	0.035
Maximum airflow	m <sup>3</sup> /h	78
Sound pressure level LpA at 3 m	dB(A)	26
Weight	kg	0.52
Ambient air temperature min	°C	1
Ambient air temperature max	°C	40
Ingress protection rating	-	IP34

## Dimensions

Ø D	B	H	L	L1
100	150	120	108	12



## Ecodesign



Trademark	Vents					
Model	100 Silenta-STH					
Specific energy consumption (SEC) (kWh/(m <sup>2</sup> /a))	Cold		Average		Warm	
	-54.2	A+	-27.1	B	-11.6	E
Type of ventilation unit	Unidirectional					
Type of drive installed	Multi-speed					
Type of heat recovery system	None					
Maximum flow rate (m <sup>3</sup> /h)	78					
Electric power input (W)	7					
Reference flow rate (m <sup>3</sup> /s)	0.015					
Specific power input (SPI) (W/(m <sup>3</sup> /h))	0.058					
Control typology	Local demand control					
Maximum external leakage rates (%)	2.7					
Sound power level (dB(A))	46					
Declared typology	RVU UVU					
The annual electricity consumption (AEC) (kWh/a)	Cold		Average		Warm	
	47		47		47	
The annual heating saved (AHS) (kWh/a)	Cold		Average		Warm	
	5536		2830		1280	