

100 Simple K L Q1



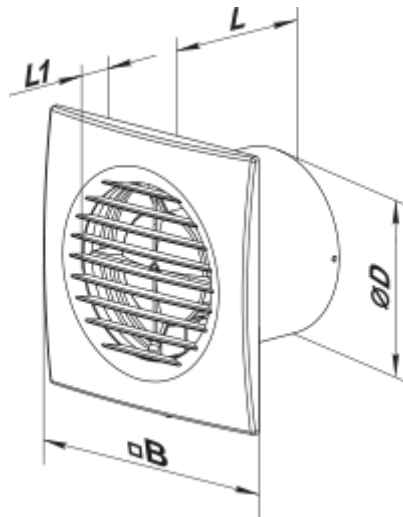
Axial fans for exhaust ventilation

- Maximum airflow: 85
- Sound pressure level LpA at 3 m: 28
- Motor type: AC
- Casing material: Plastic

	Unit of measurement	100 Simple K L Q1
Connected air duct size	mm	100
Speed	-	1
Minimum supply voltage	V	220
Maximum supply voltage	V	240
Power supply frequency	Hz	50
Rated power	W	8
Unit current	A	0.05
Maximum airflow	m ³ /h	85
Sound pressure level LpA at 3 m	dB(A)	28
Weight	kg	0.58
Ambient air temperature min	°C	1
Ambient air temperature max	°C	40
Ingress protection rating	-	IP34

Dimensions

Ø D	B	L	L1
100	150	97	15



Accessories

Cooker Hoods

Name	Photo	Description
FO_100		The window flange applicable for all VENTS fans except for VKO, VKO1, iFan, Quiet, MAO, CF