

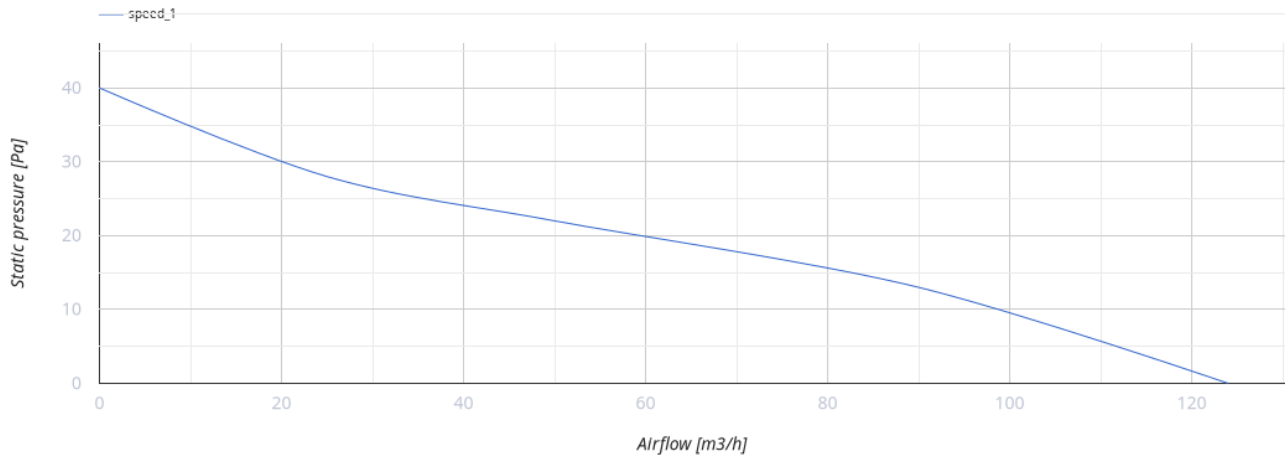
# 100 Simple turbo



Axial fans for exhaust ventilation

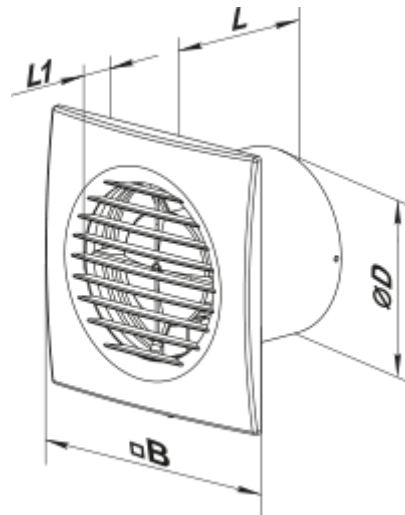
- Maximum airflow: 124
- Sound pressure level LpA at 3 m: 37
- Motor type: AC
- Casing material: Polypropylene/Thermoplastic elastomer

	Unit of measurement	100 Simple turbo
Connected air duct size	mm	100
Speed	-	1
Minimum supply voltage	V	220
Maximum supply voltage	V	240
Power supply frequency	Hz	50
Rated power	W	16
Unit current	A	0.1
Maximum airflow	m <sup>3</sup> /h	124
Sound pressure level LpA at 3 m	dB(A)	37
Weight	kg	0.66
Ambient air temperature min	°C	1
Ambient air temperature max	°C	40
Ingress protection rating	-	IP34




## Dimensions

Ø D	B	L	L1
100	150	97	15



## Accessories

### Flanges

Name	Photo	Description
<a href="#">FO 100</a>		The window flange applicable for all VENTS fans except for VKO, VKO1, iFan, Quiet, MAO, CF

## Ecodesign



Trademark	Vents					
Model	100 Simple turbo					
Specific energy consumption (SEC) (kWh/(m <sup>2</sup> /a))	Cold		Average		Warm	
	-29.5	B	-13.1	E	-3.7	F
Type of ventilation unit	Unidirectional					
Type of drive installed	Single speed					
Type of heat recovery system	None					
Maximum flow rate (m <sup>3</sup> /h)	124					
Electric power input (W)	16					
Reference flow rate (m <sup>3</sup> /s)	0.024					
Specific power input (SPI) (W/(m <sup>3</sup> /h))	0.129					
Control typology	Manual control					
Maximum external leakage rates (%)	2.7					
Declared typology	RVU UVU					
Sound power level (dB(A))	57					
The annual electricity consumption (AEC) (kWh/a)	Cold		Average		Warm	
	162		162		162	
The annual heating saved (AHS) (kWh/a)	Cold		Average		Warm	
	3355		1715		776	