

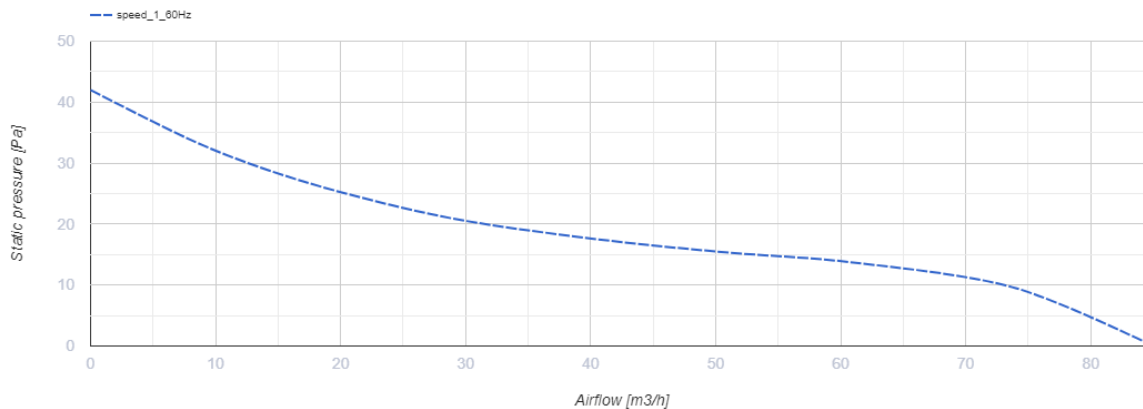
100 Wave One T L (220 V/60 Hz)



Low-noise and low-power extract axial fan suitable for use in Zone 1

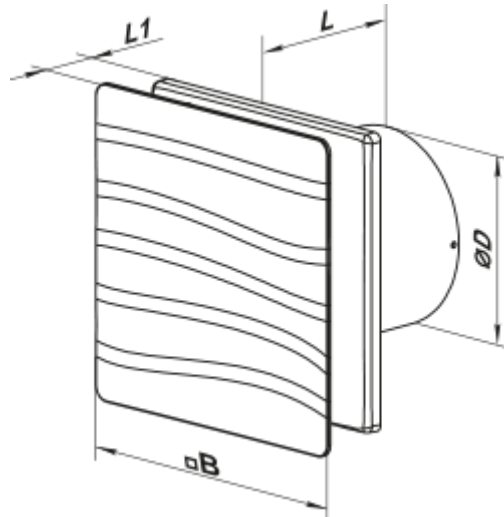
- Motor type: AC
- Impeller type: Mixed
- Casing material: ABS Plastic
- Backdraft protection: Backdraft damper
- Timer: Turn off timer

| | Unit of measurement | 100 Wave One T L (220 V/60 Hz) |
|-----------------------------|---------------------|--------------------------------|
| Connected air duct size | mm | 100 |
| Speed | - | 1 |
| Minimum supply voltage | V | 220 |
| Maximum supply voltage | V | 220 |
| Weight | kg | 0.51 |
| Ambient air temperature min | °C | 1 |
| Ambient air temperature max | °C | 45 |
| Ingress protection rating | - | IP44 Zone 1 |




Dimensions

| D | B | L | L1 |
|----|-----|----|----|
| 99 | 160 | 79 | 38 |



Accessories

Cooker Hoods

| Name | Photo | Description |
|------------------------|---|--|
| FO_100 |  | The window flange applicable for all VENTS fans except for VKO, VKO1, iFan, Quiet, MAO, CF |