

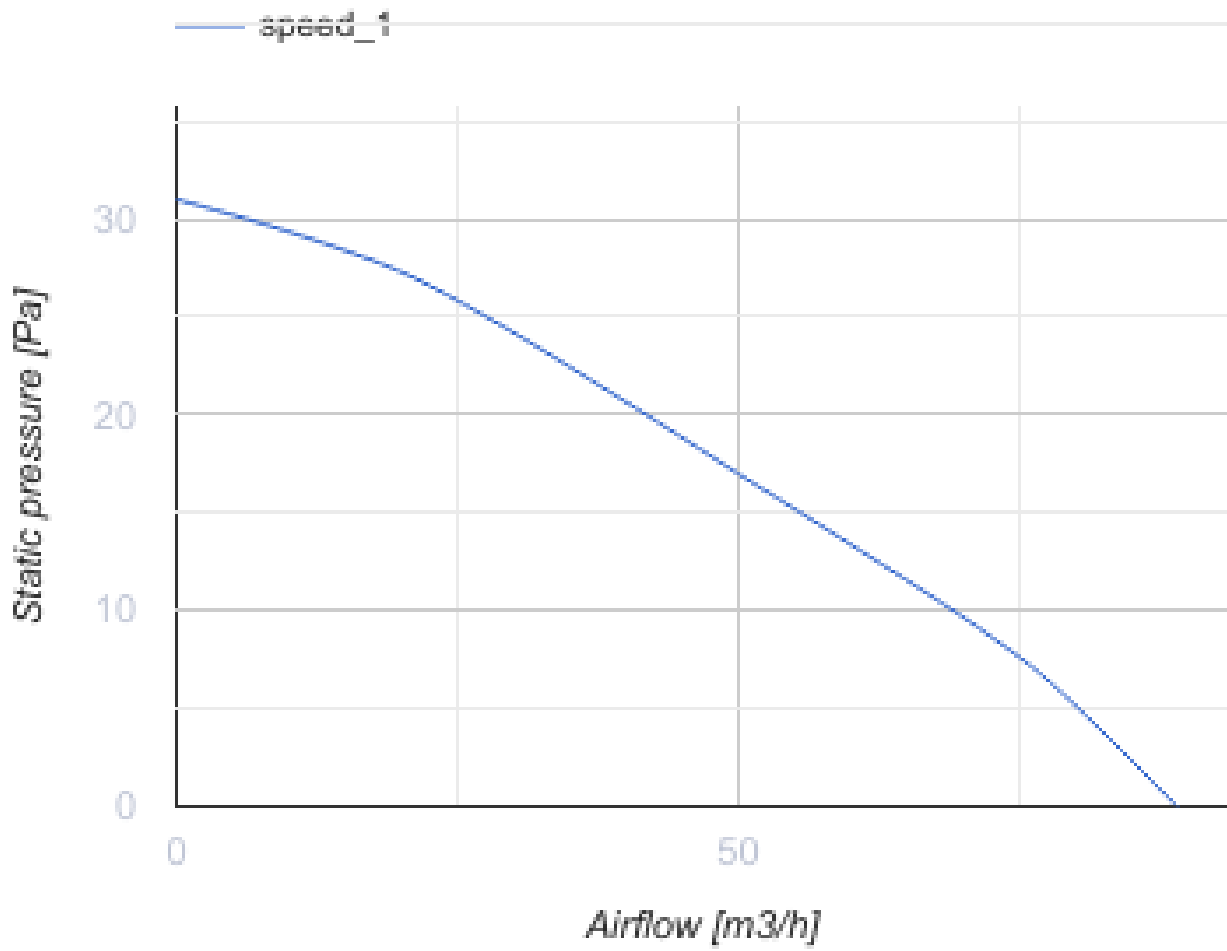
100 X



Axial decorative fans for exhaust ventilation

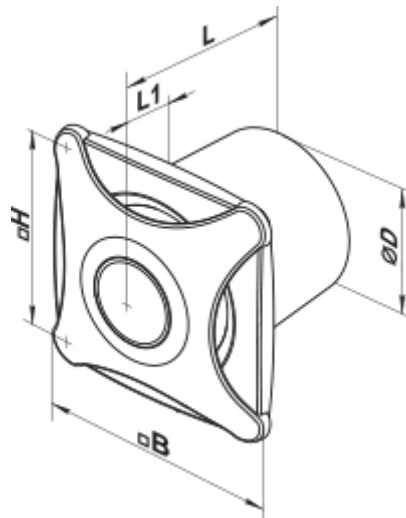
- Maximum airflow: 89
- Sound pressure level LpA at 3 m: 33
- Motor type: AC
- Casing material: Polypropylene/Thermoplastic elastomer

| | Unit of measurement | 100 X |
|---------------------------------|---------------------|-------|
| Connected air duct size | mm | 100 |
| Speed | - | 1 |
| Minimum supply voltage | V | 220 |
| Maximum supply voltage | V | 240 |
| Power supply frequency | Hz | 50/60 |
| Rated power | W | 14 |
| Unit current | A | 0.085 |
| Maximum airflow | m ³ /h | 89 |
| Sound pressure level LpA at 3 m | dB(A) | 33 |
| Weight | kg | 0.61 |
| Ambient air temperature min | °C | 1 |
| Ambient air temperature max | °C | 40 |
| Ingress protection rating | - | IP24 |



Dimensions

| $\varnothing D$ | B | H | L | L1 |
|-----------------|-----|-----|-----|----|
| 100 | 152 | 120 | 125 | 30 |



Accessories

Flanges

| Name | Photo | Description |
|------------------------|---|--|
| FO_100 |  | The window flange applicable for all VENTS fans except for VKO, VKO1, iFan, Quiet, MAO, CF |
| KO_100 |  | Back valve is designed for domestic fan series VENTS M, M1, D, S, M3, X, X1, LD, LD Fresh time, Silenta-M, Silenta-S, Modern, Vitro star, Z star, X star |

Ecodesign



| | | | | | | |
|---|----------------|---|---------|---|------|---|
| Trademark | Vents | | | | | |
| Model | 100 X | | | | | |
| Specific energy consumption (SEC) (kWh/(m ² /a)) | Cold | | Average | | Warm | |
| | -30 | B | -14 | E | -5 | F |
| Type of ventilation unit | Unidirectional | | | | | |
| Type of drive installed | Multi-speed | | | | | |
| Type of heat recovery system | None | | | | | |
| Maximum flow rate (m ³ /h) | 89 | | | | | |
| Electric power input (W) | 14 | | | | | |
| Reference flow rate (m ³ /s) | 0.017 | | | | | |
| Specific power input (SPI) (W/(m ³ /h)) | 0.101 | | | | | |
| Control typology | Manual control | | | | | |
| Maximum external leakage rates (%) | 2.7 | | | | | |
| Declared typology | RVU UVU | | | | | |
| Sound power level (dB(A)) | 53 | | | | | |
| The annual electricity consumption (AEC) (kWh/a) | Cold | | Average | | Warm | |
| | 100 | | 100 | | 100 | |
| The annual heating saved (AHS) (kWh/a) | Cold | | Average | | Warm | |
| | 3400 | | 1700 | | 800 | |