

# 100 X1 K



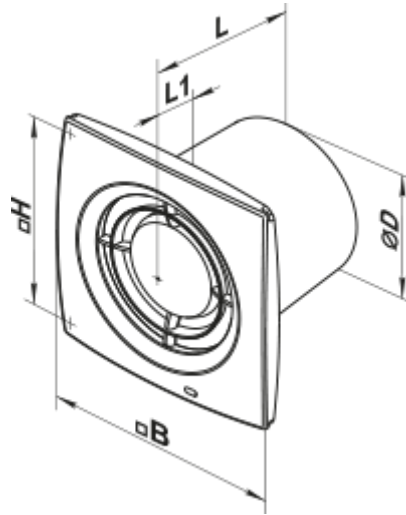
Axial fans for exhaust ventilation

- Maximum airflow: 99
- Sound pressure level LpA at 3 m: 33
- Motor type: AC
- Casing material: Plastic

	Unit of measurement	100 X1 K
Connected air duct size	mm	100
Speed	-	1
Minimum supply voltage	V	220
Maximum supply voltage	V	240
Power supply frequency	Hz	50
Rated power	W	14
Unit current	A	0.085
Maximum airflow	m <sup>3</sup> /h	99
Sound pressure level LpA at 3 m	dB(A)	33
Weight	kg	0.6
Ambient air temperature min	°C	1
Ambient air temperature max	°C	40
Ingress protection rating	-	IP24



## Dimensions

Ø D	B	H	L	L1
100	152	120	108	12



## Accessories

### Cooker Hoods

Name	Photo	Description
<a href="#">FO_100</a>		The window flange applicable for all VENTS fans except for VKO, VKO1, iFan, Quiet, MAO, CF
<a href="#">KO_100</a>		Back valve is designed for domestic fan series VENTS M, M1, D, S, M3, X, X1, LD, LD Fresh time, Silenta-M, Silenta-S, Modern, Vitro star, Z star, X star