

120 Simple Q1



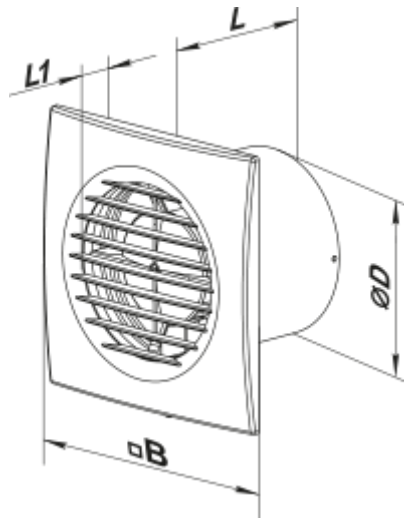
Axial extract fans with thin front panels

- Maximum airflow: 162
- Sound pressure level LpA at 3 m: 32
- Motor type: AC
- Casing material: Plastic
- Backdraft protection: Backdraft damper

	Unit of measurement	120 Simple Q1
Connected air duct size	mm	120
Speed	-	1
Minimum supply voltage	V	220
Maximum supply voltage	V	240
Power supply frequency	Hz	50
Rated power	W	10
Unit current	A	0.05
Maximum airflow	m ³ /h	162
Sound pressure level LpA at 3 m	dB(A)	32
Weight	kg	0.74
Ambient air temperature min	°C	1
Ambient air temperature max	°C	40
Ingress protection rating	-	IP34

Dimensions

Ø D	B	L	L1
120	175	94	15



Ecodesign



Trademark	Vents					
Model	120 Simple Q1					
Specific energy consumption (SEC) (kWh/(m ² /a))	Cold		Average		Warm	
	-31.6	B	-15.2	E	-5.8	F
Type of ventilation unit	Unidirectional					
Type of drive installed	Single speed					
Type of heat recovery system	None					
Maximum flow rate (m ³ /h)	162					
Electric power input (W)	10					
Reference flow rate (m ³ /s)	0.032					
Specific power input (SPI) (W/(m ³ /h))	0.062					
Control typology	Manual control					
Maximum external leakage rates (%)	2.7					
Declared typology	RVU UVU					
Sound power level (dB(A))	52					
The annual electricity consumption (AEC) (kWh/a)	Cold		Average		Warm	
	77		77		77	
The annual heating saved (AHS) (kWh/a)	Cold		Average		Warm	
	3355		1715		776	