

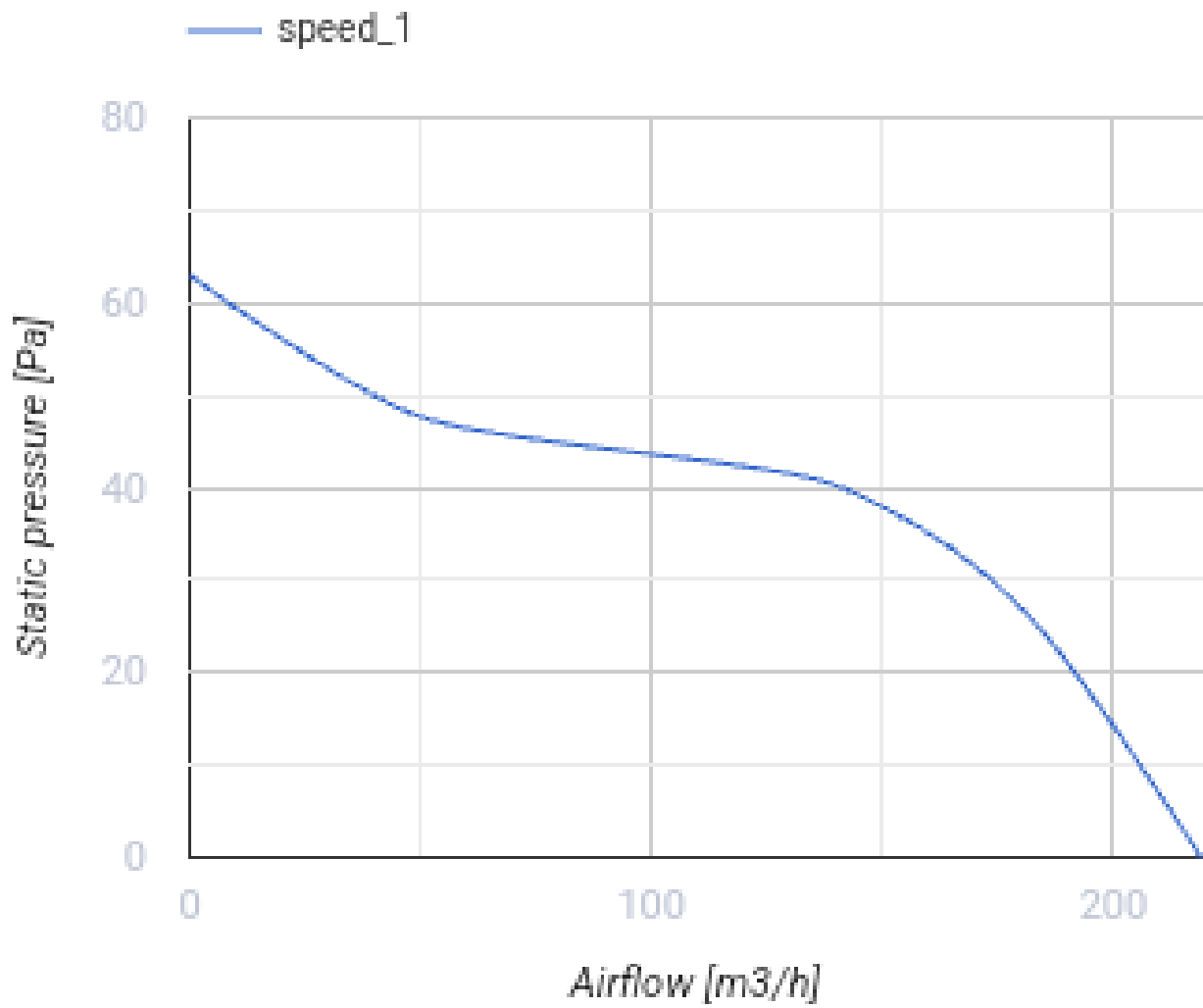
# 120 Simple T turbo



Axial fans for exhaust ventilation

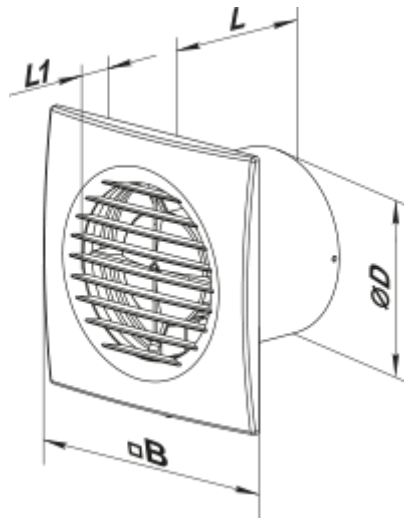
- Maximum airflow: 219
- Sound pressure level LpA at 3 m: 37
- Motor type: AC
- Casing material: Plastic
- Timer: Turn off timer

	Unit of measurement	120 Simple T turbo
Connected air duct size	mm	120
Speed	-	1
Minimum supply voltage	V	220
Maximum supply voltage	V	240
Power supply frequency	Hz	50
Rated power	W	24
Unit current	A	0.1
Maximum airflow	m <sup>3</sup> /h	219
Sound pressure level LpA at 3 m	dB(A)	37
Weight	kg	0.81
Ambient air temperature min	°C	1
Ambient air temperature max	°C	40
Ingress protection rating	-	IP34

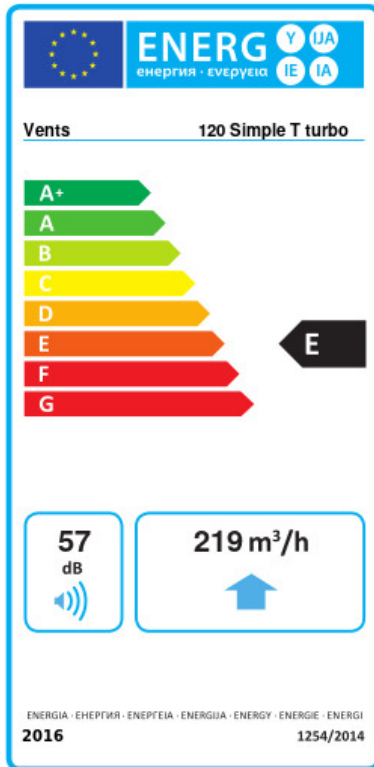


### Dimensions

<b>Ø D</b>	<b>B</b>	<b>L</b>	<b>L1</b>
120	175	94	15



## Ecodesign



Trademark	Vents					
Model	120 Simple T turbo					
Specific energy consumption (SEC) (kWh/(m <sup>2</sup> /a))	Cold		Average		Warm	
	33.4	B	15.5	E	5.2	F
Type of ventilation unit	Unidirectional					
Type of drive installed	Single speed					
Type of heat recovery system	None					
Maximum flow rate (m <sup>3</sup> /h)	219					
Electric power input (W)	24					
Reference flow rate (m <sup>3</sup> /s)	0.043					
Specific power input (SPI) (W/(m <sup>3</sup> /h))	0.11					
Control typology	Clock control					
Maximum external leakage rates (%)	2.7					
Sound power level (dB(A))	57					
Declared typology	RVU UVU					
The annual electricity consumption (AEC) (kWh/a)	Cold		Average		Warm	
	130		130		130	
The annual heating saved (AHS) (kWh/a)	Cold		Average		Warm	
	3667		1874		848	