

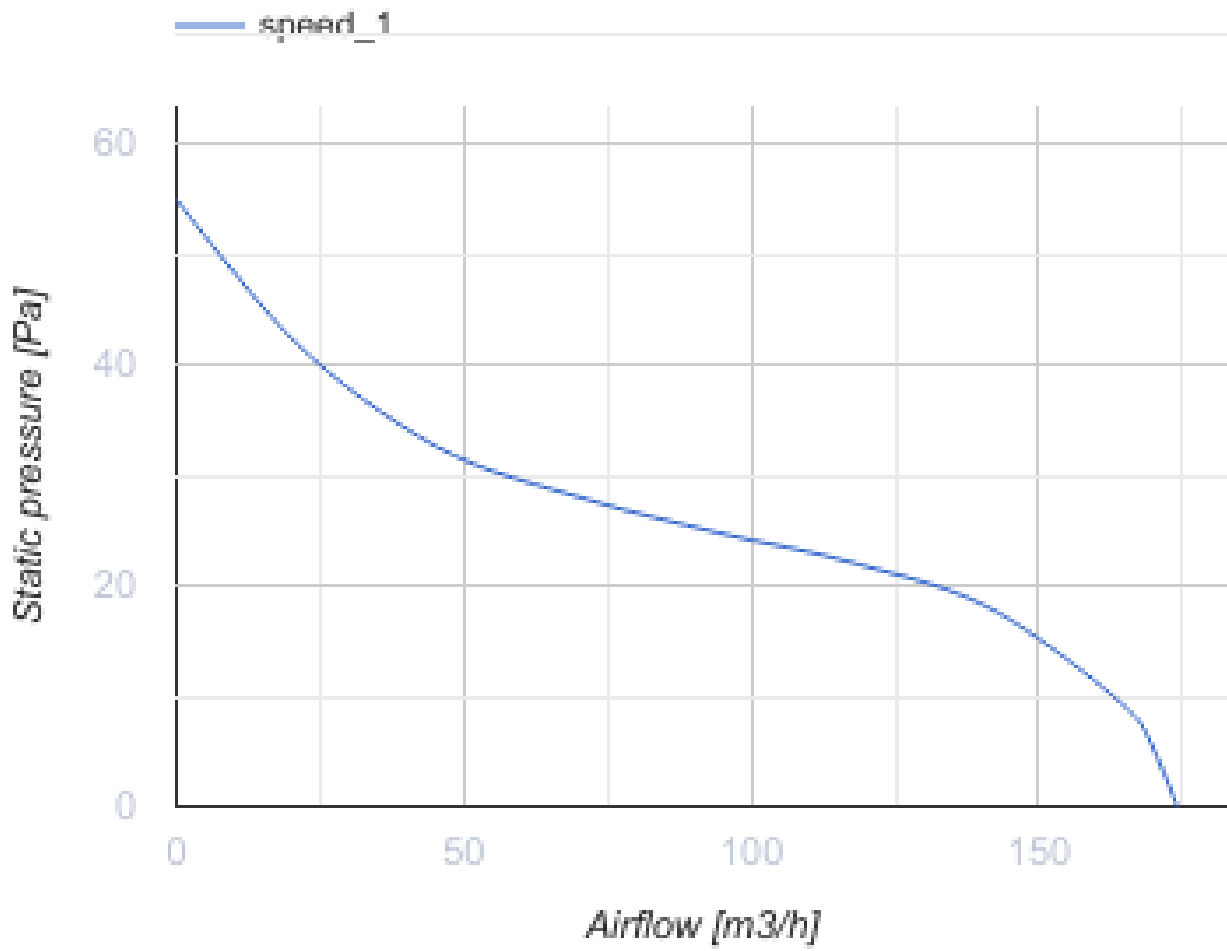
# 120 Simple TH



Axial extract fans with thin front panels

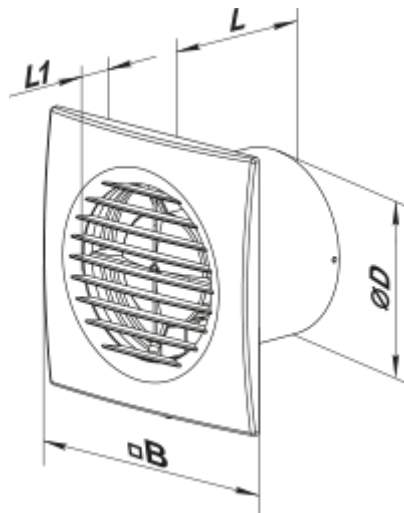
- Maximum airflow: 174
- Sound pressure level LpA at 3 m: 35
- Motor type: AC
- Casing material: Polypropylene/Thermoplastic elastomer
- Humidity sensor
- Timer: Turn off timer

	Unit of measurement	120 Simple TH
Connected air duct size	mm	120
Speed	-	1
Minimum supply voltage	V	220
Maximum supply voltage	V	240
Power supply frequency	Hz	50
Rated power	W	16
Unit current	A	0.09
Maximum airflow	m <sup>3</sup> /h	174
Sound pressure level LpA at 3 m	dB(A)	35
Weight	kg	0.74
Ambient air temperature min	°C	1
Ambient air temperature max	°C	40
Ingress protection rating	-	IP34

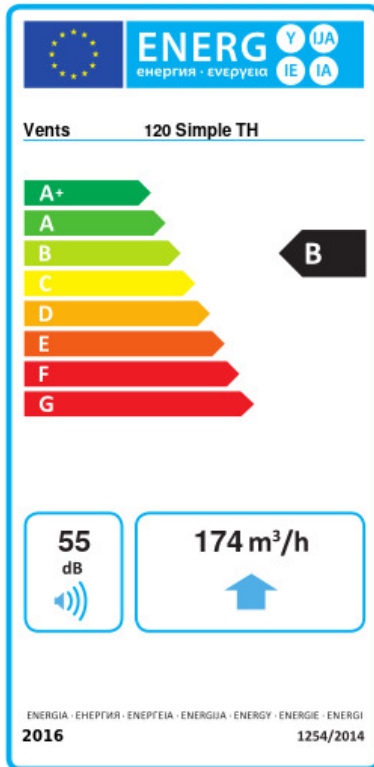


### Dimensions

$\varnothing D$	B	L	L1
120	175	94	15



## Ecodesign



Trademark	Vents					
Model	120 Simple TH					
Specific energy consumption (SEC) (kWh/(m <sup>2</sup> /a))	Cold		Average		Warm	
	-53.5	A+	-26.4	B	-10.9	E
Type of ventilation unit	Unidirectional					
Type of drive installed	Single speed					
Type of heat recovery system	None					
Maximum flow rate (m <sup>3</sup> /h)	174					
Electric power input (W)	16					
Reference flow rate (m <sup>3</sup> /s)	0.034					
Specific power input (SPI) (W/(m <sup>3</sup> /h))	0.092					
Control typology	Local demand control					
Maximum external leakage rates (%)	2.7					
Declared typology	RVU UVU					
Sound power level (dB(A))	55					
The annual electricity consumption (AEC) (kWh/a)	Cold		Average		Warm	
	75		75		75	
The annual heating saved (AHS) (kWh/a)	Cold		Average		Warm	
	5536		2830		1280	