

125 K L



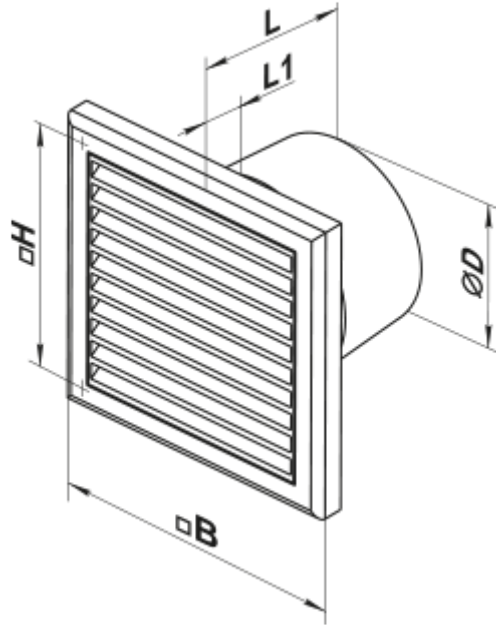
Axial fans for exhaust ventilation with the capacity up to 341 m³/h. Compatible with 100, 125 or 150 mm air ducts.

- Maximum airflow: 180
- Sound pressure level LpA at 3 m: 35
- Motor type: AC
- Casing material: Plastic

| | Unit of measurement | 125 K L |
|---------------------------------|---------------------|---------|
| Connected air duct size | mm | 125 |
| Speed | - | 1 |
| Minimum supply voltage | V | 220 |
| Maximum supply voltage | V | 240 |
| Power supply frequency | Hz | 50 |
| Rated power | W | 16 |
| Unit current | A | 0.1 |
| Maximum airflow | m ³ /h | 180 |
| Sound pressure level LpA at 3 m | dB(A) | 35 |
| Weight | kg | 0.65 |
| Ambient air temperature min | °C | 1 |
| Ambient air temperature max | °C | 40 |
| Ingress protection rating | - | IP34 |


Dimensions

| ØD | B | H | L | L1 |
|-----|-----|-----|-----|----|
| 125 | 187 | 142 | 112 | 15 |



Accessories

Cooker Hoods

| Name | Photo | Description |
|------------------------|---|--|
| FO_125 |  | The window flange applicable for all VENTS fans except for VKO, VKO1, iFan, Quiet, MAO, CF |