

125 K1 L



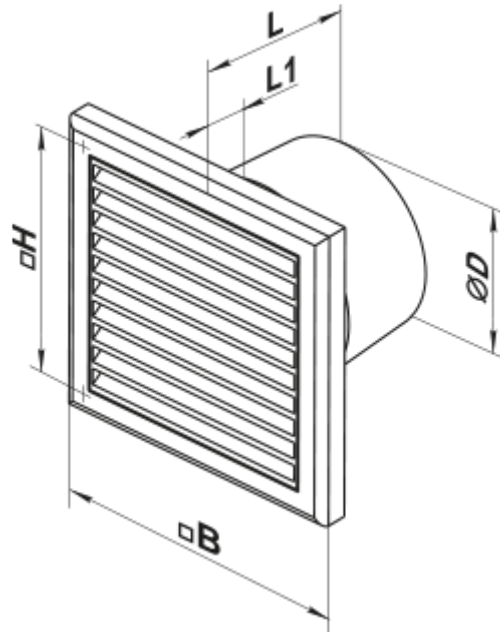
Axial fans for exhaust ventilation

- Maximum airflow: 180
- Sound pressure level LpA at 3 m: 35
- Motor type: AC
- Casing material: Plastic

	Unit of measurement	125 K1 L
Connected air duct size	mm	125
Speed	-	1
Minimum supply voltage	V	220
Maximum supply voltage	V	240
Power supply frequency	Hz	50
Rated power	W	16
Unit current	A	0.1
Maximum airflow	m ³ /h	180
Sound pressure level LpA at 3 m	dB(A)	35
Weight	kg	0.7
Ambient air temperature min	°C	1
Ambient air temperature max	°C	40
Ingress protection rating	-	IP34


Dimensions

ØD	B	H	L	L1
125	187	142	116	19



Accessories

Cooker Hoods

Name	Photo	Description
FO 125		The window flange applicable for all VENTS fans except for VKO, VKO1, iFan, Quiet, MAO, CF