

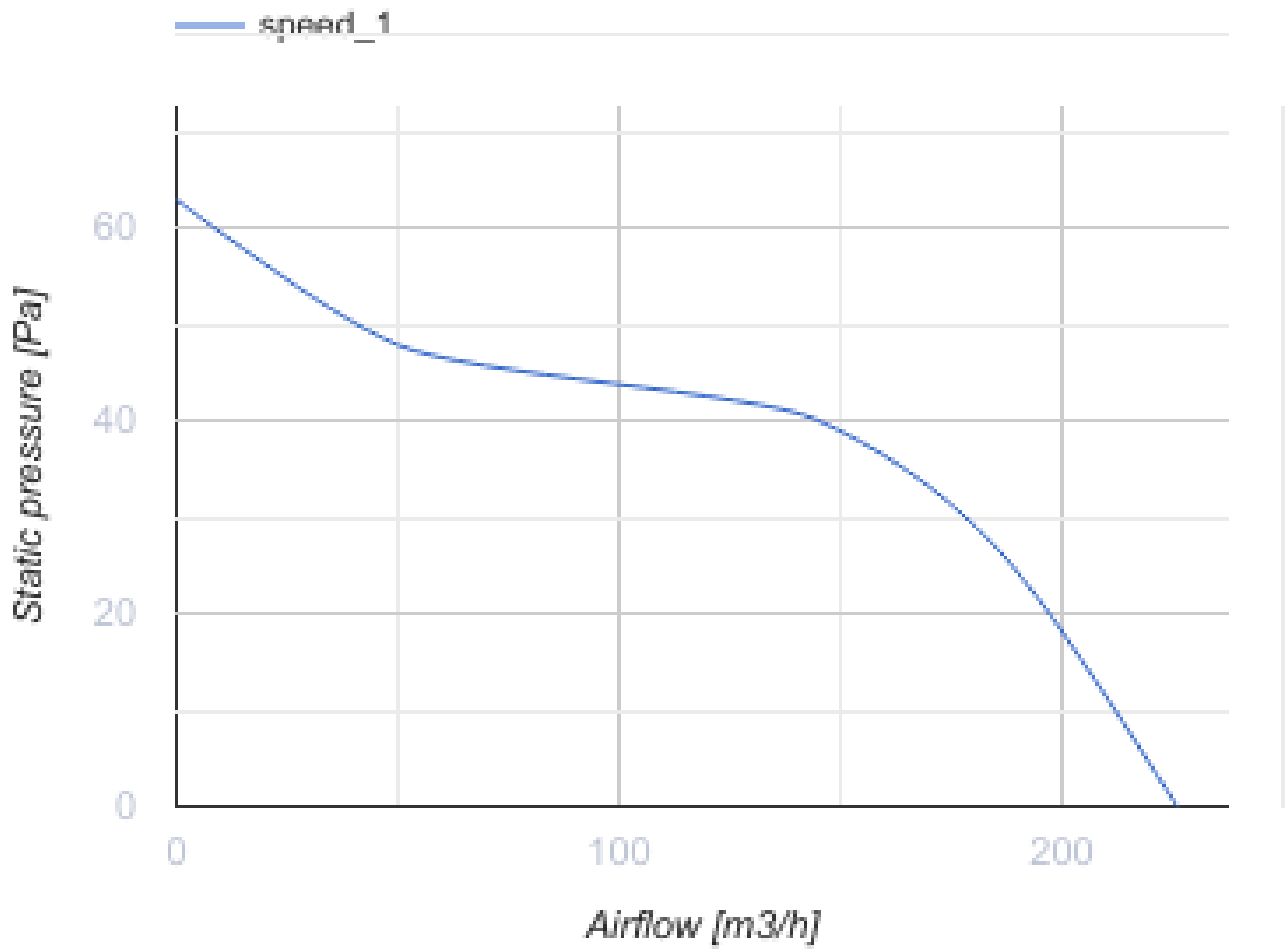
125 K1 turbo



Axial fans for exhaust ventilation

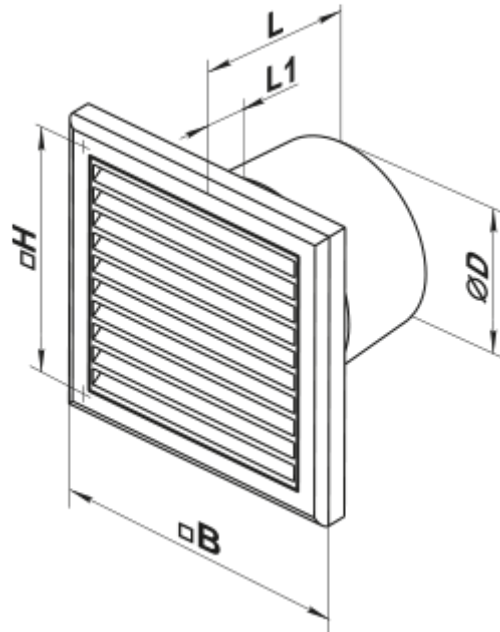
- Maximum airflow: 226
- Sound pressure level LpA at 3 m: 37
- Motor type: AC
- Casing material: Plastic

| | Unit of measurement | 125 K1 turbo |
|---------------------------------|---------------------|--------------|
| Connected air duct size | mm | 125 |
| Speed | - | 1 |
| Minimum supply voltage | V | 220 |
| Maximum supply voltage | V | 240 |
| Power supply frequency | Hz | 50 |
| Rated power | W | 24 |
| Unit current | A | 0.105 |
| Maximum airflow | m ³ /h | 226 |
| Sound pressure level LpA at 3 m | dB(A) | 37 |
| Weight | kg | 0.77 |
| Ambient air temperature min | °C | 1 |
| Ambient air temperature max | °C | 40 |
| Ingress protection rating | - | IP34 |




Dimensions

| ∅D | B | H | L | L1 |
|-----|-----|-----|-----|----|
| 125 | 187 | 142 | 116 | 19 |

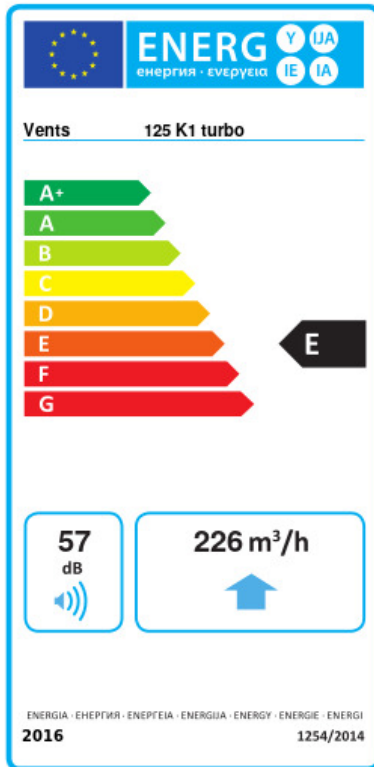


Accessories

Flanges

| Name | Photo | Description |
|------------------------|---|--|
| FO 125 |  | The window flange applicable for all VENTS fans except for VKO, VKO1, iFan, Quiet, MAO, CF |

Ecodesign



| | | | | | | |
|---|----------------|---|---------|---|------|---|
| Trademark | Vents | | | | | |
| Model | 125 K1 turbo | | | | | |
| Specific energy consumption (SEC) (kWh/(m ² /a)) | Cold | | Average | | Warm | |
| | -31 | B | -15 | E | -6 | F |
| Type of ventilation unit | Unidirectional | | | | | |
| Type of drive installed | Multi-speed | | | | | |
| Type of heat recovery system | None | | | | | |
| Maximum flow rate (m ³ /h) | 226 | | | | | |
| Electric power input (W) | 24 | | | | | |
| Reference flow rate (m ³ /s) | 0.044 | | | | | |
| Specific power input (SPI) (W/(m ³ /h)) | 0.068 | | | | | |
| Control typology | Manual control | | | | | |
| Maximum external leakage rates (%) | 2.7 | | | | | |
| Declared typology | RVU UVU | | | | | |
| Sound power level (dB(A)) | 57 | | | | | |
| The annual electricity consumption (AEC) (kWh/a) | Cold | | Average | | Warm | |
| | 100 | | 100 | | 100 | |
| The annual heating saved (AHS) (kWh/a) | Cold | | Average | | Warm | |
| | 3400 | | 1700 | | 800 | |