

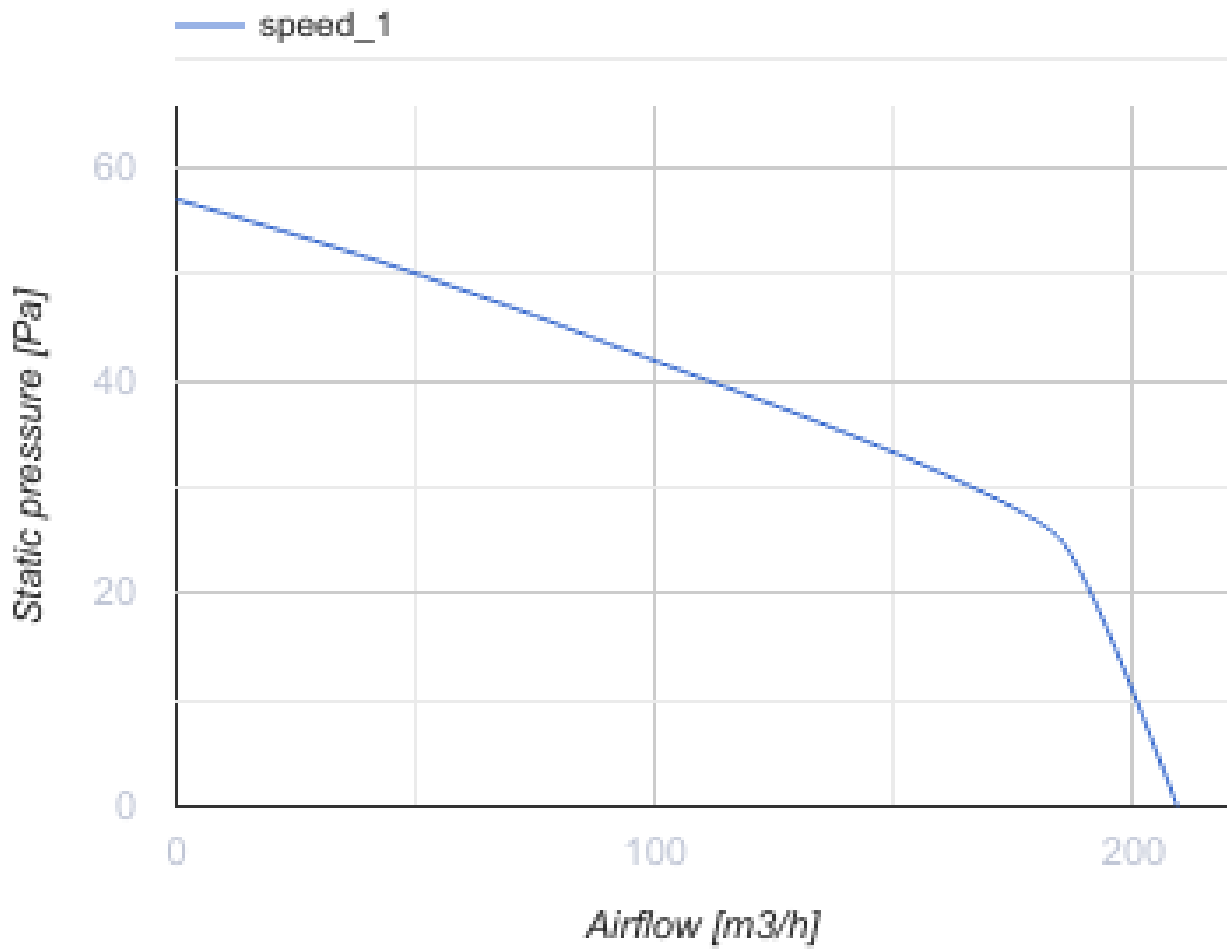
# 125 LD Fresh time turbo

Axial fans for exhaust ventilation with a built-in clock

- Maximum airflow: 209
- Sound pressure level LpA at 3 m: 36
- Motor type: AC
- Casing material: Polypropylene/Thermoplastic elastomer

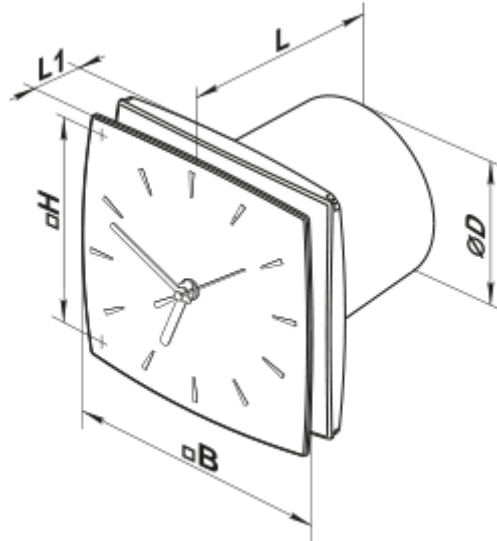


|                                 | Unit of measurement | 125 LD Fresh time turbo |
|---------------------------------|---------------------|-------------------------|
| Connected air duct size         | mm                  | 125                     |
| Speed                           | -                   | 1                       |
| Minimum supply voltage          | V                   | 220                     |
| Maximum supply voltage          | V                   | 240                     |
| Power supply frequency          | Hz                  | 50                      |
| Rated power                     | W                   | 24                      |
| Unit current                    | A                   | 0.105                   |
| Maximum airflow                 | m <sup>3</sup> /h   | 209                     |
| Sound pressure level LpA at 3 m | dB(A)               | 36                      |
| Weight                          | kg                  | 0.84                    |
| Ambient air temperature min     | °C                  | 1                       |
| Ambient air temperature max     | °C                  | 40                      |
| Ingress protection rating       | -                   | IP34                    |





### Dimensions

| <b>∅ D</b> | <b>B</b> | <b>H</b> | <b>L</b> | <b>L1</b> |
|------------|----------|----------|----------|-----------|
| 125        | 175      | 140      | 145      | 44        |



## Accessories

### Flanges

| Name                   | Photo   | Description  |
|------------------------|---|--|
| <a href="#">FO 125</a> |   | The window flange applicable for all VENTS fans except for VKO, VKO1, iFan, Quiet, MAO, CF   |
| <a href="#">KO 125</a> |  | Back valve is designed for domestic fan series VENTS M, M1, D, S, M3, X, X1, LD, LD Fresh time, Silenta-M, Silenta-S, Modern, Vitro star, Z star, X star |