

## 125 LD Light red



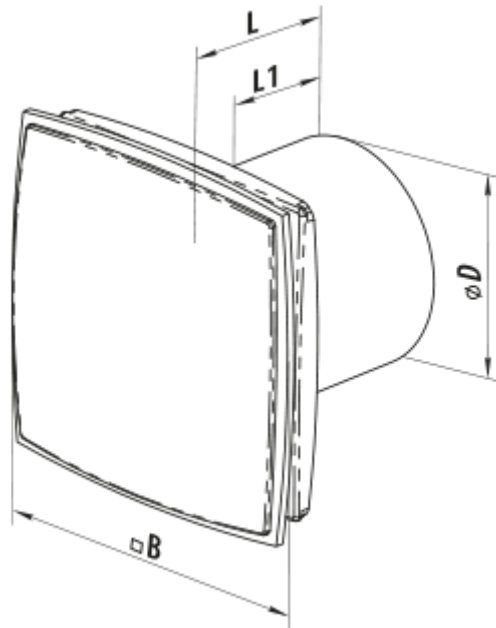
### Exhaust axial decorative fans

- Maximum airflow: 167
- Sound pressure level LpA at 3 m: 34
- Motor type: AC
- Casing material: Plastic

	Unit of measurement	125 LD Light red
Connected air duct size	mm	125
Speed	-	1
Minimum supply voltage	V	220
Maximum supply voltage	V	240
Power supply frequency	Hz	50
Rated power	W	16
Unit current	A	0.1
Maximum airflow	m <sup>3</sup> /h	167
Sound pressure level LpA at 3 m	dB(A)	34
Weight	kg	0.89
Ambient air temperature min	°C	1
Ambient air temperature max	°C	40
Ingress protection rating	-	IP34


### Dimensions

Ø D	B	L	L1
125	187	135	101



## Accessories

### Cooker Hoods

Name	Photo	Description
<a href="#">FO_125</a>		The window flange applicable for all VENTS fans except for VKO, VKO1, iFan, Quiet, MAO, CF