

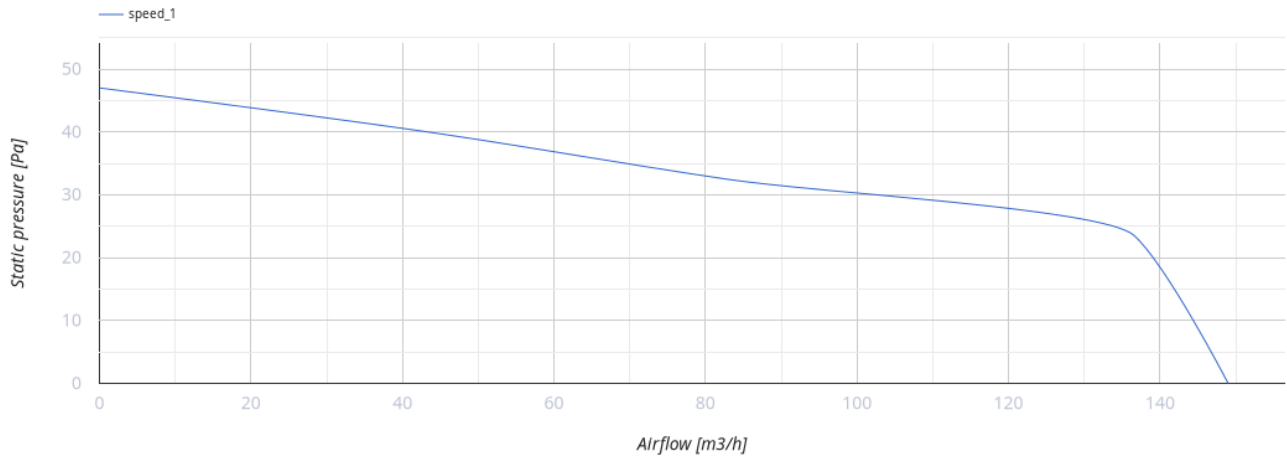
125 LD T 12



Axial decorative fans for extract ventilation with panels

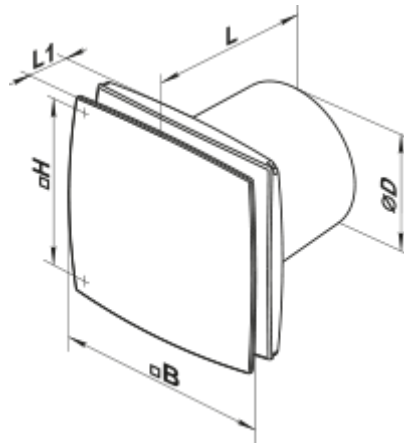
- Maximum airflow: 149
- Sound pressure level LpA at 3 m: 33
- Motor type: AC
- Casing material: Plastic
- Timer: Turn off timer

	Unit of measurement	125 LD T 12
Connected air duct size	mm	125
Speed	-	1
Minimum supply voltage	V	12
Maximum supply voltage	V	12
Power supply frequency	Hz	50/60
Rated power	W	16
Unit current	A	1.7
Maximum airflow	m ³ /h	149
Sound pressure level LpA at 3 m	dB(A)	33
Weight	kg	0.72
Ambient air temperature min	°C	1
Ambient air temperature max	°C	40
Ingress protection rating	-	IP34



Dimensions

ØD	B	H	L	L1
125	177	140	135	34



Accessories

Flanges

Name	Photo	Description
FO 125		The window flange applicable for all VENTS fans except for VKO, VKO1, iFan, Quiet, MAO, CF
KO 125		Back valve is designed for domestic fan series VENTS M, M1, D, S, M3, X, X1, LD, LD Fresh time, Silenta-M, Silenta-S, Modern, Vitro star, Z star, X star

Ecodesign



Trademark	Vents					
Model	125 LD T 12					
Specific energy consumption (SEC) (kWh/(m ² /a))	Cold		Average		Warm	
	-30.2	B	-13.8	E	-4.4	F
Type of ventilation unit	Unidirectional					
Type of drive installed	Single speed					
Type of heat recovery system	None					
Maximum flow rate (m ³ /h)	149					
Electric power input (W)	16					
Reference flow rate (m ³ /s)	0.029					
Specific power input (SPI) (W/(m ³ /h))	0.107					
Control typology	Manual control					
Maximum external leakage rates (%)	2.7					
Declared typology	RVU UVU					
Sound power level (dB(A))	53					
The annual electricity consumption (AEC) (kWh/a)	Cold		Average		Warm	
	135		135		135	
The annual heating saved (AHS) (kWh/a)	Cold		Average		Warm	
	3355		1715		776	