

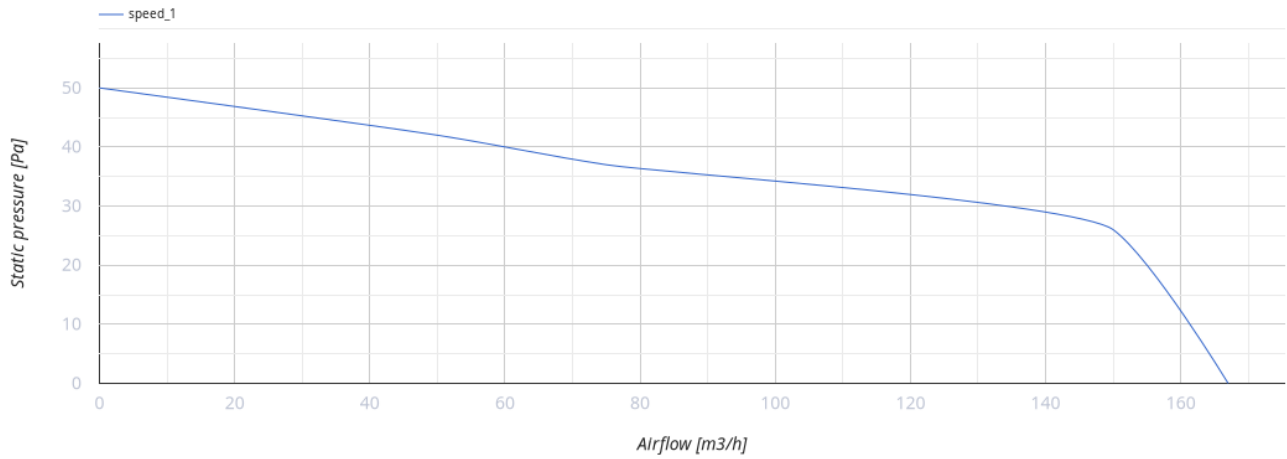
125 LD TH K L



Axial decorative fans for extract ventilation with panels

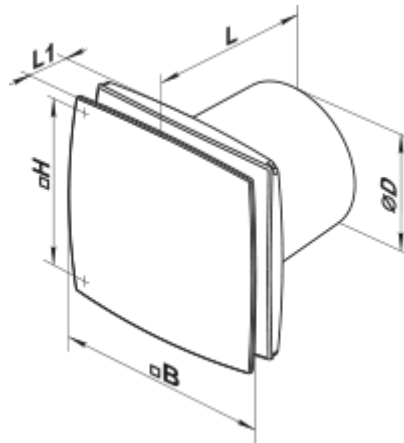
- Maximum airflow: 167
- Sound pressure level LpA at 3 m: 34
- Motor type: AC
- Casing material: Plastic
- Backdraft protection: Backdraft damper
- Humidity sensor
- Timer: Turn off timer

	Unit of measurement	125 LD TH K L
Connected air duct size	mm	125
Speed	-	1
Minimum supply voltage	V	220
Maximum supply voltage	V	240
Power supply frequency	Hz	50
Rated power	W	16
Unit current	A	0.1
Maximum airflow	m ³ /h	167
Sound pressure level LpA at 3 m	dB(A)	34
Weight	kg	0.74
Ambient air temperature min	°C	1
Ambient air temperature max	°C	40
Ingress protection rating	-	IP34



Dimensions

∅D	B	H	L	L1
125	177	140	135	34

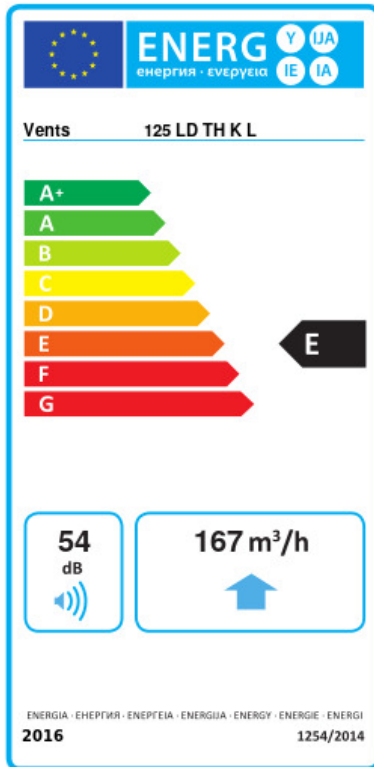


Accessories

Flanges

Name	Photo	Description
FO 125		The window flange applicable for all VENTS fans except for VKO, VKO1, iFan, Quiet, MAO, CF
KO 125		Back valve is designed for domestic fan series VENTS M, M1, D, S, M3, X, X1, LD, LD Fresh time, Silenta-M, Silenta-S, Modern, Vitro star, Z star, X star

Ecodesign



Trademark	Vents					
Model	125 LD TH K L					
Specific energy consumption (SEC) (kWh/(m ² /a))	Cold		Average		Warm	
	30.6	B	14.2	E	4.8	F
Type of ventilation unit	Unidirectional					
Type of drive installed	Single speed					
Type of heat recovery system	None					
Maximum flow rate (m ³ /h)	167					
Electric power input (W)	16					
Reference flow rate (m ³ /s)	0.032					
Specific power input (SPI) (W/(m ³ /h))	0.096					
Control typology	Manual control					
Maximum external leakage rates (%)	2.7					
Declared typology	RVU UVU					
Sound power level (dB(A))	54					
The annual electricity consumption (AEC) (kWh/a)	Cold		Average		Warm	
	120		120		120	
The annual heating saved (AHS) (kWh/a)	Cold		Average		Warm	
	3355		1715		776	