

# 125 LD TH L turbo



Axial decorative fans for exhaust ventilation

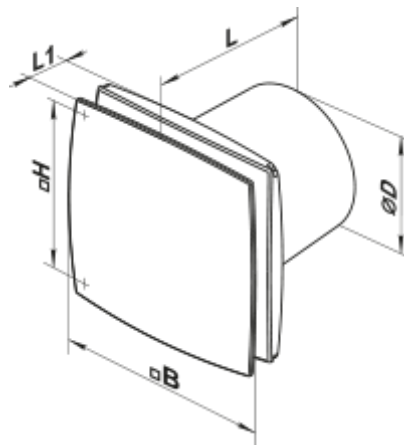
- Maximum airflow: 209
- Sound pressure level LpA at 3 m: 36
- Motor type: AC
- Casing material: Plastic
- Humidity sensor
- Timer: Turn off timer

	Unit of measurement	125 LD TH L turbo
Connected air duct size	mm	125
Speed	-	1
Minimum supply voltage	V	220
Maximum supply voltage	V	240
Power supply frequency	Hz	50
Rated power	W	24
Unit current	A	0.105
Maximum airflow	m <sup>3</sup> /h	209
Sound pressure level LpA at 3 m	dB(A)	36
Weight	kg	0.84
Ambient air temperature min	°C	1
Ambient air temperature max	°C	40
Ingress protection rating	-	IP34
ErP compliance	-	2016
Cold - Specific energy consumption (SEC)	kWh/(m <sup>2</sup> /a)	30
SEC Class Cold	-	B
Average - Specific energy consumption (SEC)	kWh/(m <sup>2</sup> /a)	13.6
SEC Class Average	-	E
Warm - Specific energy consumption (SEC)	kWh/(m <sup>2</sup> /a)	4.2
SEC Class Warm	-	F
Unit category	-	RVU

Type of ventilation unit	-	Unidirectional
Type of drive installed	-	Single speed
Type of heat recovery system	-	None
Maximum flow rate	m <sup>3</sup> /h	209
Electric power input	W	24
Reference flow rate	m <sup>3</sup> /s	0.041
Specific power input (SPI)	W/(m <sup>3</sup> /h)	0.115
Control typology	-	Manual control
Maximum external leakage rates	%	2.7
Cold - The annual electricity consumption (AEC)	kWh/a	144
Average - The annual electricity consumption (AEC)	kWh/a	144
Warm - Jährlicher Stromverbrauch (JSV)	kWh/a	144
Cold - The annual heating saved (AHS)	kWh/a	3355
The annual heating saved (AHS) Average	kWh/a	1715
The annual heating saved (AHS) Warm	kWh/a	776
Sound power level	dB(A)	56
Declared typology	-	RVU UVU


## Dimensions

ØD	B	H	L	L1
125	177	140	135	34



## Accessories

### Cooker Hoods

Name	Photo	Description
<a href="#">FO 125</a>		The window flange applicable for all VENTS fans except for VKO, VKO1, iFan, Quiet, MAO, CF

[KO 125](#)

Back valve is designed for domestic fan series VENTS M, M1, D, S, M3, X, X1, LD, LD  
Fresh time, Silenta-M, Silenta-S, Modern, Vitro star, Z star, X star