

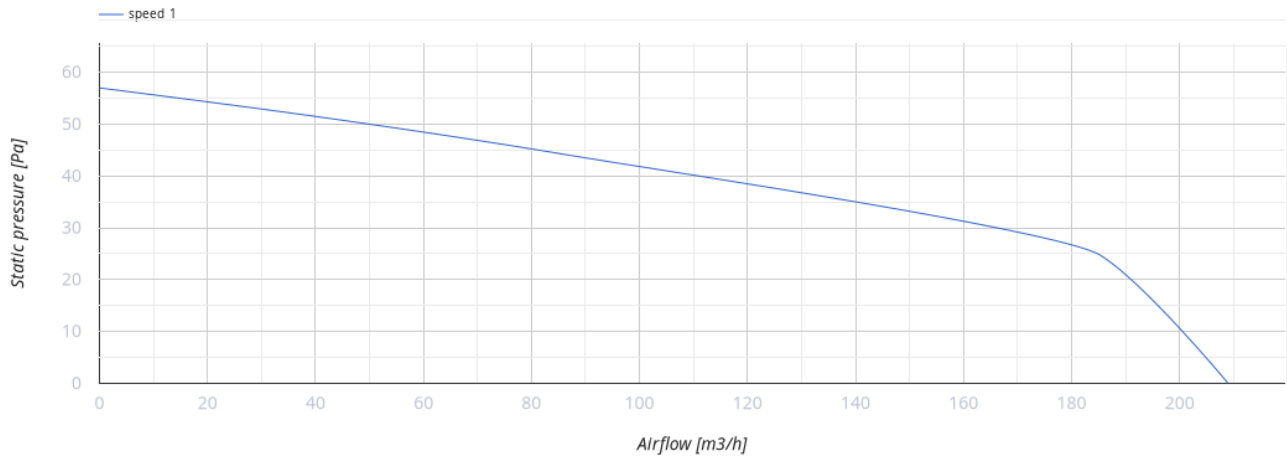
125 LD V L turbo



Axial decorative fans for extract ventilation with panels

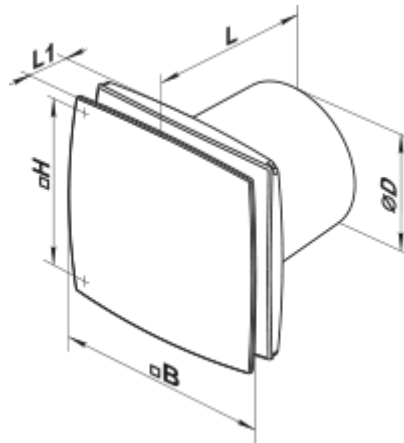
- Maximum airflow: 209
- Sound pressure level LpA at 3 m: 36
- Motor type: AC
- Casing material: Plastic
- Pull cord

	Unit of measurement	125 LD V L turbo
Connected air duct size	mm	125
Speed	-	1
Minimum supply voltage	V	220
Maximum supply voltage	V	240
Power supply frequency	Hz	50
Rated power	W	24
Unit current	A	0.105
Maximum airflow	m ³ /h	209
Sound pressure level LpA at 3 m	dB(A)	36
Weight	kg	0.84
Ambient air temperature min	°C	1
Ambient air temperature max	°C	40
Ingress protection rating	-	IP34



Dimensions

ØD	B	H	L	L1
125	177	140	135	34



Accessories

Flanges

Name	Photo	Description
FO 125		The window flange applicable for all VENTS fans except for VKO, VKO1, iFan, Quiet, MAO, CF
KO 125		Back valve is designed for domestic fan series VENTS M, M1, D, S, M3, X, X1, LD, LD Fresh time, Silenta-M, Silenta-S, Modern, Vitro star, Z star, X star

