

125 M turbo



Axial fans for exhaust ventilation

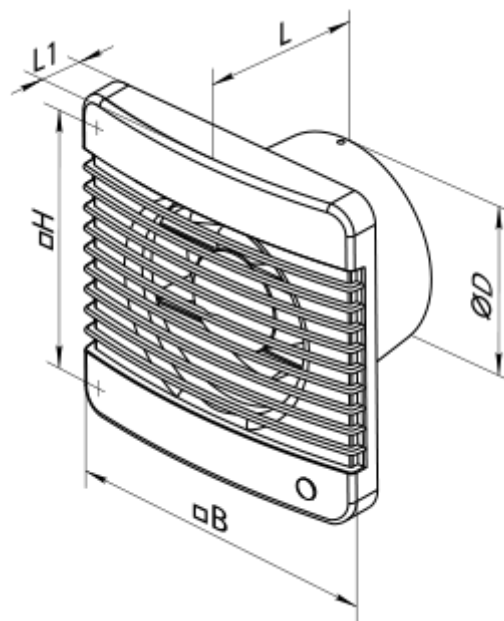
- Maximum airflow: 232
- Sound pressure level LpA at 3 m: 37
- Motor type: AC
- Casing material: Plastic

	Unit of measurement	125 M turbo
Connected air duct size	mm	125
Speed	-	1
Minimum supply voltage	V	220
Maximum supply voltage	V	240
Power supply frequency	Hz	50/60
Rated power	W	22
Unit current	A	0.105
Maximum airflow	m ³ /h	232
Sound pressure level LpA at 3 m	dB(A)	37
Weight	kg	0.72
Ambient air temperature min	°C	1
Ambient air temperature max	°C	40
Ingress protection rating	-	IP34
ErP compliance	-	2016
Cold - Specific energy consumption (SEC)	kWh/(m ² /a)	30.6
SEC Class Cold	-	B
Average - Specific energy consumption (SEC)	kWh/(m ² /a)	14.2
SEC Class Average	-	E
Warm - Specific energy consumption (SEC)	kWh/(m ² /a)	4.8
SEC Class Warm	-	F
Unit category	-	RVU

Type of ventilation unit	-	Unidirectional
Type of drive installed	-	Single speed
Type of heat recovery system	-	None
Maximum flow rate	m ³ /h	232
Electric power input	W	22
Reference flow rate	m ³ /s	0.045
Specific power input (SPI)	W/(m ³ /h)	0.095
Control typology	-	Manual control
Maximum external leakage rates	%	2.7
Cold - The annual electricity consumption (AEC)	kWh/a	119
Average - The annual electricity consumption (AEC)	kWh/a	119
Warm - Jährlicher Stromverbrauch (JSV)	kWh/a	119
Cold - The annual heating saved (AHS)	kWh/a	3355
The annual heating saved (AHS) Average	kWh/a	1715
The annual heating saved (AHS) Warm	kWh/a	776
Sound power level	dB(A)	57
Declared typology	-	RVU UVU



Dimensions

ØD	B	H	L	L1
125	180	150	94	25



Accessories

Cooker Hoods

Name	Photo	Description
FO 125		The window flange applicable for all VENTS fans except for VKO, VKO1, iFan, Quiet, MAO, CF
KO 125		Back valve is designed for domestic fan series VENTS M, M1, D, S, M3, X, X1, LD, LD Fresh time, Silenta-M, Silenta-S, Modern, Vitro star, Z star, X star