

# 125 M1 L



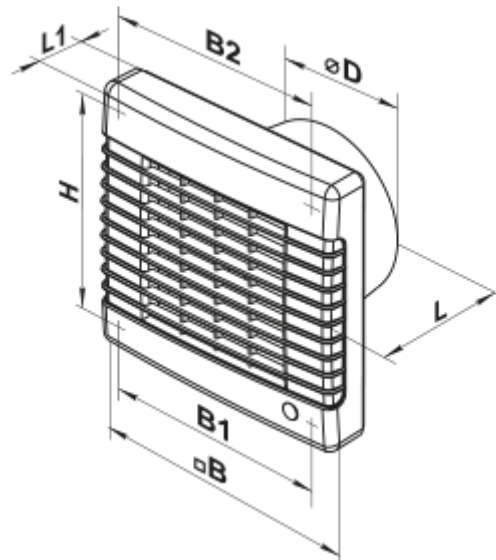
Axial fans for exhaust ventilation

- Maximum airflow: 185
- Sound pressure level LpA at 3 m: 35
- Motor type: AC
- Casing material: Plastic

|                                 | Unit of measurement | 125 M1 L |
|---------------------------------|---------------------|----------|
| Connected air duct size         | mm                  | 125      |
| Speed                           | -                   | 1        |
| Minimum supply voltage          | V                   | 220      |
| Maximum supply voltage          | V                   | 240      |
| Power supply frequency          | Hz                  | 50       |
| Rated power                     | W                   | 16       |
| Unit current                    | A                   | 0.1      |
| Maximum airflow                 | m <sup>3</sup> /h   | 185      |
| Sound pressure level LpA at 3 m | dB(A)               | 35       |
| Weight                          | kg                  | 0.68     |
| Ambient air temperature min     | °C                  | 1        |
| Ambient air temperature max     | °C                  | 40       |
| Ingress protection rating       | -                   | IP34     |



## Dimensions

| ØD  | B   | B1  | B2  | H   | L  | L1 |
|-----|-----|-----|-----|-----|----|----|
| 125 | 190 | 174 | 128 | 173 | 98 | 33 |



## Accessories

### Cooker Hoods

| Name                   | Photo   | Description  |
|------------------------|---|--|
| <a href="#">FO 125</a> |   | The window flange applicable for all VENTS fans except for VKO, VKO1, iFan, Quiet, MAO, CF   |
| <a href="#">KO 125</a> |  | Back valve is designed for domestic fan series VENTS M, M1, D, S, M3, X, X1, LD, LD Fresh time, Silenta-M, Silenta-S, Modern, Vitro star, Z star, X star |