

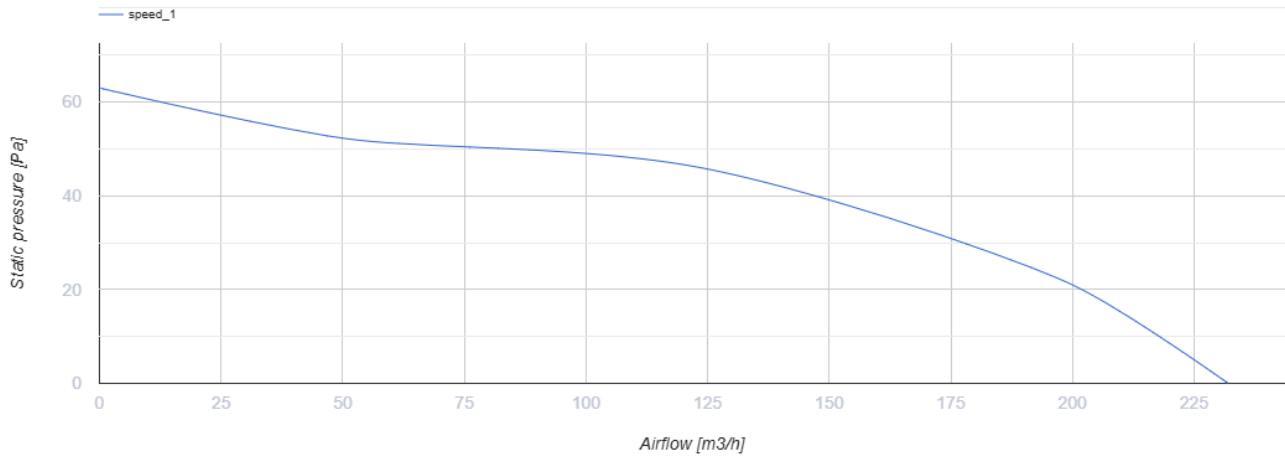
125 MA TH turbo



Axial fans with automatic louver shutters for exhaust ventilation

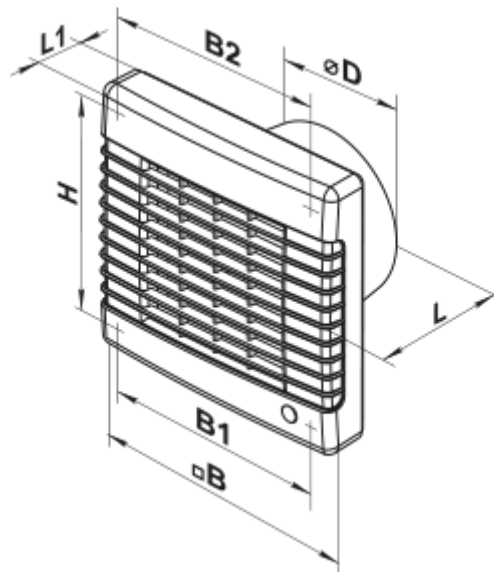
- Maximum airflow: 232
- Sound pressure level LpA at 3 m: 37
- Motor type: AC
- Casing material: Plastic
- Humidity sensor
- Timer: Turn off timer

	Unit of measurement	125 MA TH turbo
Connected air duct size	mm	125
Speed	-	1
Minimum supply voltage	V	220
Maximum supply voltage	V	240
Power supply frequency	Hz	50
Rated power	W	29
Unit current	A	0.13
Maximum airflow	m ³ /h	232
Sound pressure level LpA at 3 m	dB(A)	37
Weight	kg	0.81
Ambient air temperature min	°C	1
Ambient air temperature max	°C	40
Ingress protection rating	-	IP24




Dimensions

ØD	B	B1	B2	H	L	L1
125	190	174	128	173	98	33



Accessories

Flanges

Name	Photo	Description
FO 125		The window flange applicable for all VENTS fans except for VKO, VKO1, iFan, Quiet, MAO, CF