

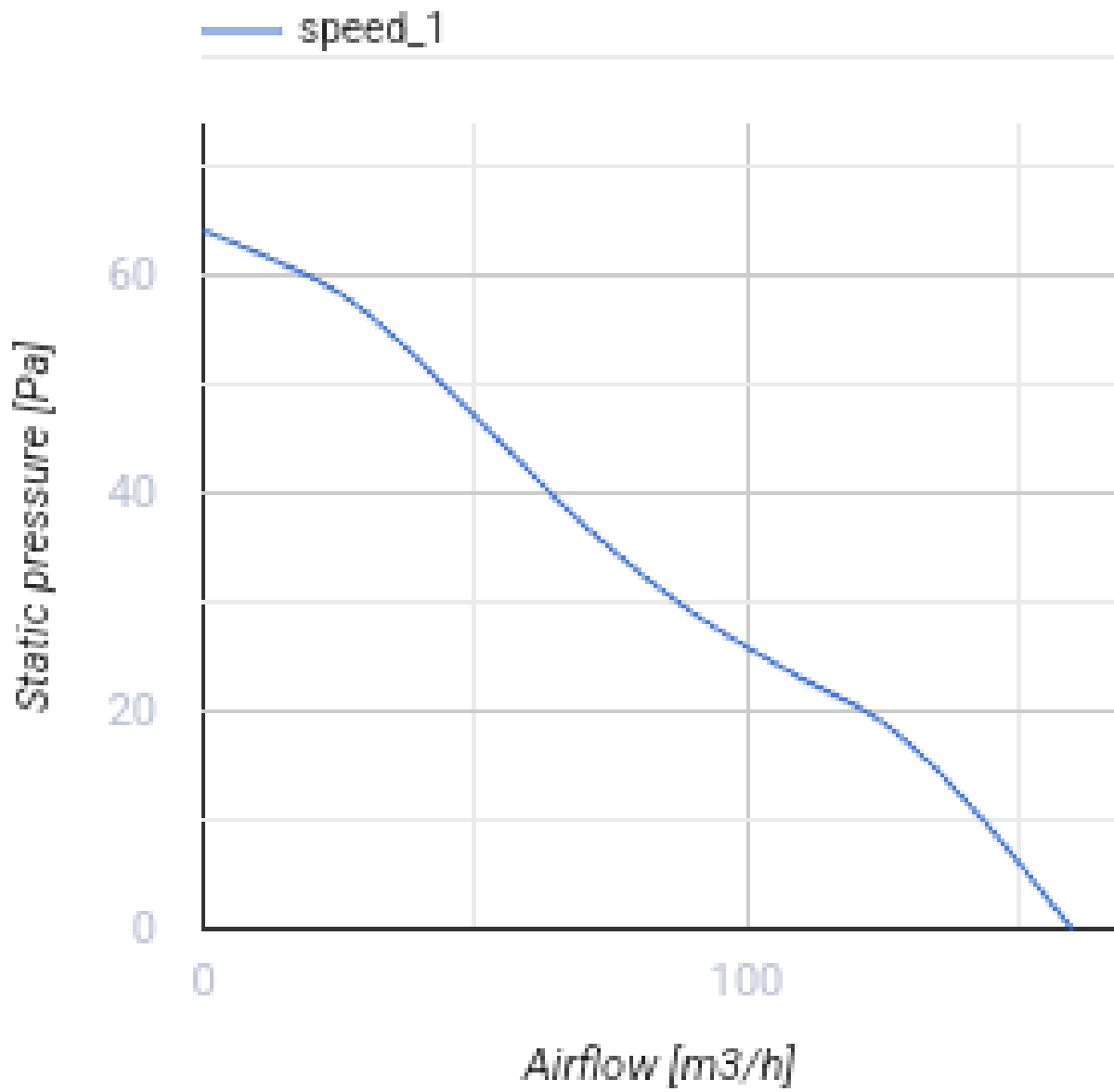
125 MF



Quiet axial extract fans with low power consumption

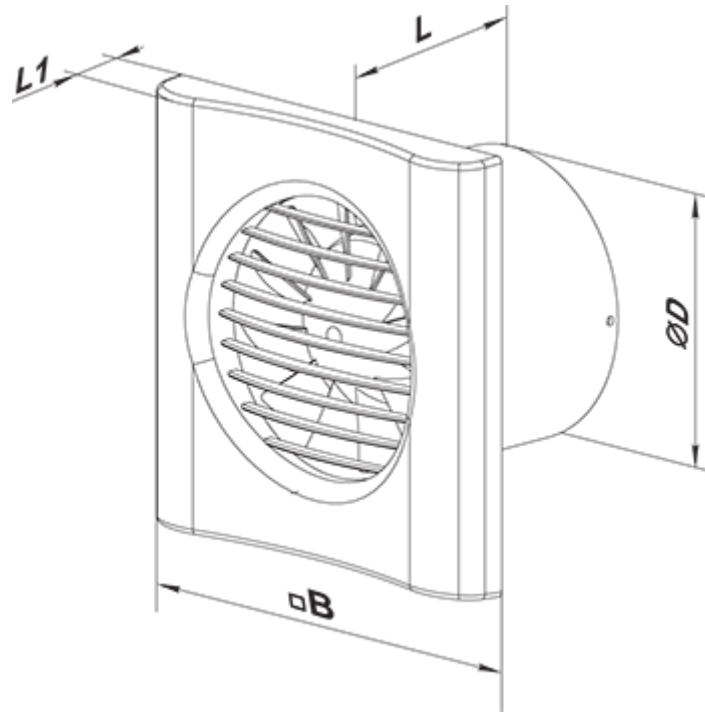
- Maximum airflow: 160
- Sound pressure level LpA at 3 m: 34
- Motor type: AC
- Casing material: Polypropylene/Thermoplastic elastomer
- Backdraft protection: Backdraft damper

	Unit of measurement	125 MF
Connected air duct size	mm	125
Speed	-	1
Minimum supply voltage	V	220
Maximum supply voltage	V	240
Power supply frequency	Hz	50
Rated power	W	18
Unit current	A	0.11
Maximum airflow	m ³ /h	160
Sound pressure level LpA at 3 m	dB(A)	34
Weight	kg	0.8
Ambient air temperature min	°C	1
Ambient air temperature max	°C	40
Ingress protection rating	-	IP44




Dimensions

ØD	B	L	L1
124	180	85	21

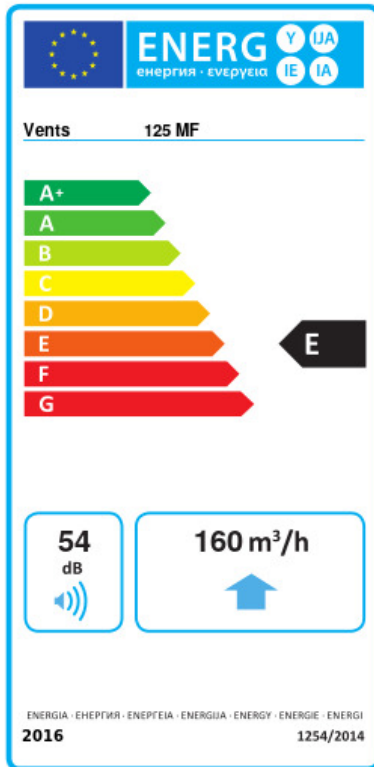


Accessories

Flanges

Name	Photo	Description
FO 125		The window flange applicable for all VENTS fans except for VKO, VKO1, iFan, Quiet, MAO, CF

Ecodesign



Trademark	Vents					
Model	125 MF					
Specific energy consumption (SEC) (kWh/(m ² /a))	Cold		Average		Warm	
	-30	B	-13.6	E	-4.2	F
Type of ventilation unit	Unidirectional					
Type of drive installed	Single speed					
Type of heat recovery system	None					
Maximum flow rate (m ³ /h)	160					
Electric power input (W)	18					
Reference flow rate (m ³ /s)	0.031					
Specific power input (SPI) (W/(m ³ /h))	0.113					
Control typology	Manual control					
Maximum external leakage rates (%)	2.7					
Declared typology	RVU UVU					
Sound power level (dB(A))	54					
The annual electricity consumption (AEC) (kWh/a)	Cold		Average		Warm	
	141		141		141	
The annual heating saved (AHS) (kWh/a)	Cold		Average		Warm	
	3355		1715		776	