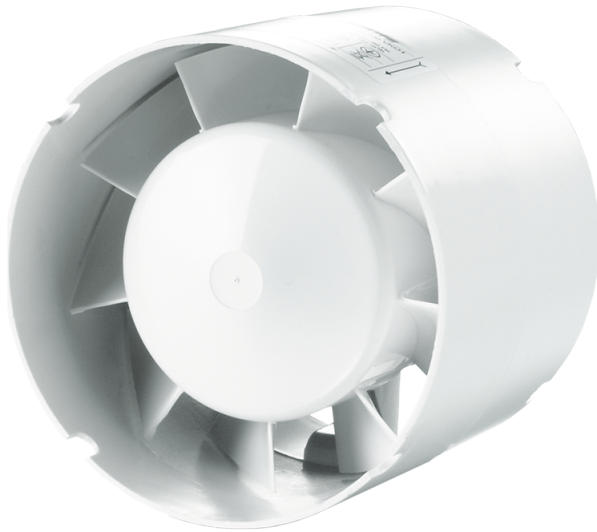


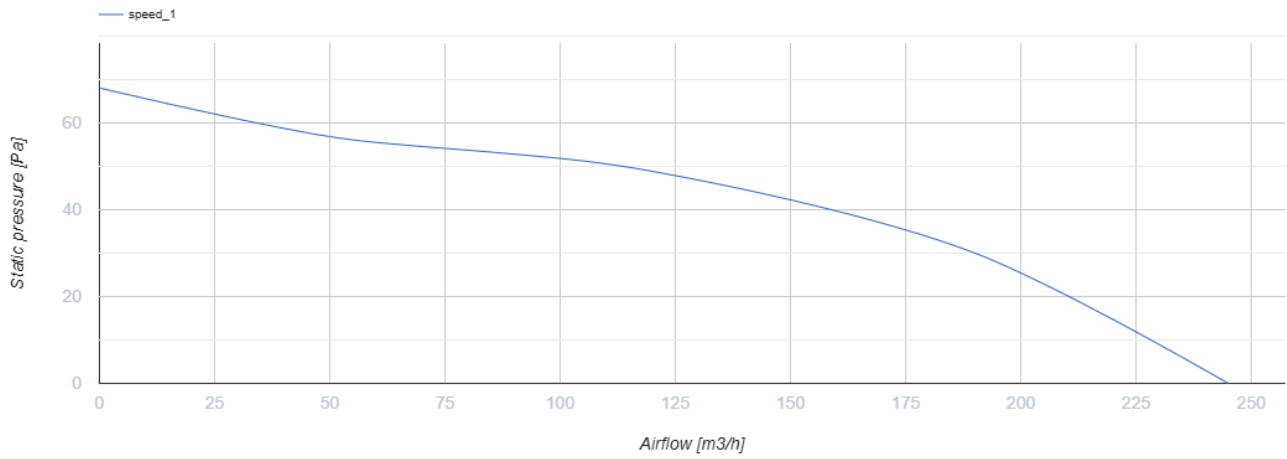
125 VK01 T L turbo

Axial inline fans, for exhaust or supply ventilation

- Maximum airflow: 245
- Sound pressure level LpA at 3 m: 39
- Motor type: AC
- Casing material: Plastic
- Timer: Turn off timer



	Unit of measurement	125 VK01 T L turbo
Connected air duct size	mm	125
Speed	-	1
Minimum supply voltage	V	220
Maximum supply voltage	V	240
Power supply frequency	Hz	50/60
Rated power	W	24
Unit current	A	0.105
Maximum airflow	m ³ /h	245
Sound pressure level LpA at 3 m	dB(A)	39
Weight	kg	0.51
Ambient air temperature min	°C	1
Ambient air temperature max	°C	40
Ingress protection rating	-	IPX4



Dimensions

ØD	Ød	L	L1
125	59	90	28

