

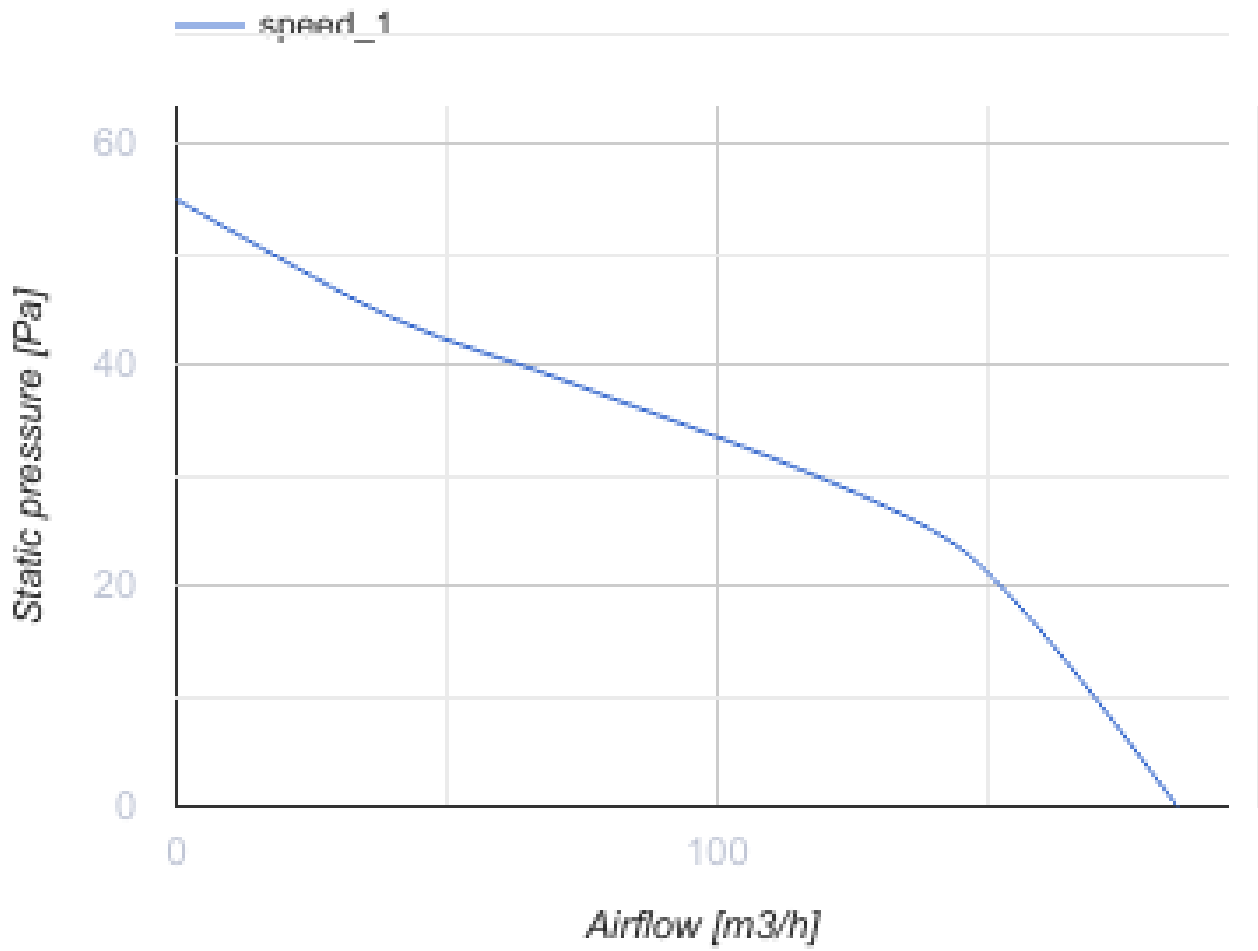
# 125 X1 L



Axial fans for exhaust ventilation

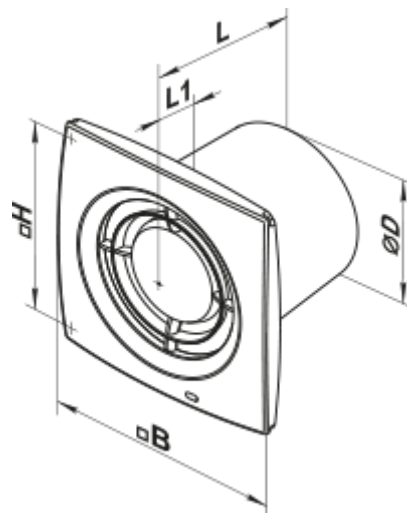
- Maximum airflow: 185
- Sound pressure level LpA at 3 m: 34
- Motor type: AC
- Casing material: Polypropylene/Thermoplastic elastomer

	Unit of measurement	125 X1 L
Connected air duct size	mm	125
Speed	-	1
Minimum supply voltage	V	220
Maximum supply voltage	V	240
Power supply frequency	Hz	50
Rated power	W	16
Unit current	A	0.1
Maximum airflow	m <sup>3</sup> /h	185
Sound pressure level LpA at 3 m	dB(A)	34
Weight	kg	0.73
Ambient air temperature min	°C	1
Ambient air temperature max	°C	40
Ingress protection rating	-	IP24





## Dimensions

$\varnothing D$	B	H	L	L1
125	177	140	114	13



## Accessories

### Flanges

Name	Photo	Description
<a href="#">FO_125</a>		The window flange applicable for all VENTS fans except for VKO, VKO1, iFan, Quiet, MAO, CF
<a href="#">KO_125</a>		Back valve is designed for domestic fan series VENTS M, M1, D, S, M3, X, X1, LD, LD Fresh time, Silenta-M, Silenta-S, Modern, Vitro star, Z star, X star