

# 150 LD



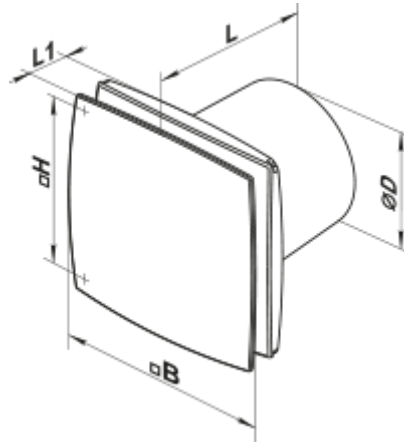
Axial decorative fans for exhaust ventilation

- Maximum airflow: 265
- Sound pressure level LpA at 3 m: 37
- Motor type: AC
- Casing material: Plastic

	Unit of measurement	150 LD
Connected air duct size	mm	150
Speed	-	1
Minimum supply voltage	V	220
Maximum supply voltage	V	240
Power supply frequency	Hz	50
Rated power	W	24
Unit current	A	0.13
Maximum airflow	m <sup>3</sup> /h	265
Sound pressure level LpA at 3 m	dB(A)	37
Weight	kg	0.96
Ambient air temperature min	°C	1
Ambient air temperature max	°C	40
Ingress protection rating	-	IP34



## Dimensions

<b>ØD</b>	<b>B</b>	<b>H</b>	<b>L</b>	<b>L1</b>
150	206	165	154	36

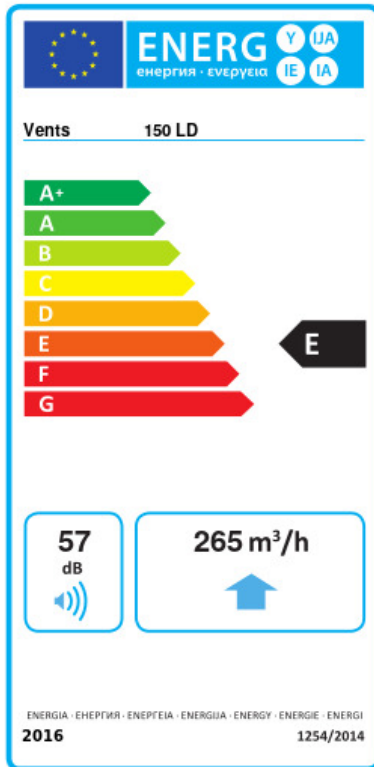


## Accessories

### Flanges

Name	Photo	Description
<a href="#">FO 150</a>		The window flange applicable for all VENTS fans except for VKO, VKO1, iFan, Quiet, MAO, CF
<a href="#">KO 150</a>		Back valve is designed for domestic fan series VENTS M, M1, D, S, M3, X, X1, LD, LD Fresh time, Silenta-M, Silenta-S, Modern, Vitro star, Z star, X star

## Ecodesign



Trademark	Vents					
Model	150 LD					
Specific energy consumption (SEC) (kWh/(m <sup>2</sup> /a))	Cold		Average		Warm	
	-30.7	B	-14.3	E	-4.9	F
Type of ventilation unit	Unidirectional					
Type of drive installed	Single speed					
Type of heat recovery system	None					
Maximum flow rate (m <sup>3</sup> /h)	265					
Electric power input (W)	24					
Reference flow rate (m <sup>3</sup> /s)	0.052					
Specific power input (SPI) (W/(m <sup>3</sup> /h))	0.091					
Control typology	Manual control					
Maximum external leakage rates (%)	2.7					
Sound power level (dB(A))	57					
Declared typology	RVU UVU					
The annual electricity consumption (AEC) (kWh/a)	Cold		Average		Warm	
	113		113		113	
The annual heating saved (AHS) (kWh/a)	Cold		Average		Warm	
	3355		1715		776	