

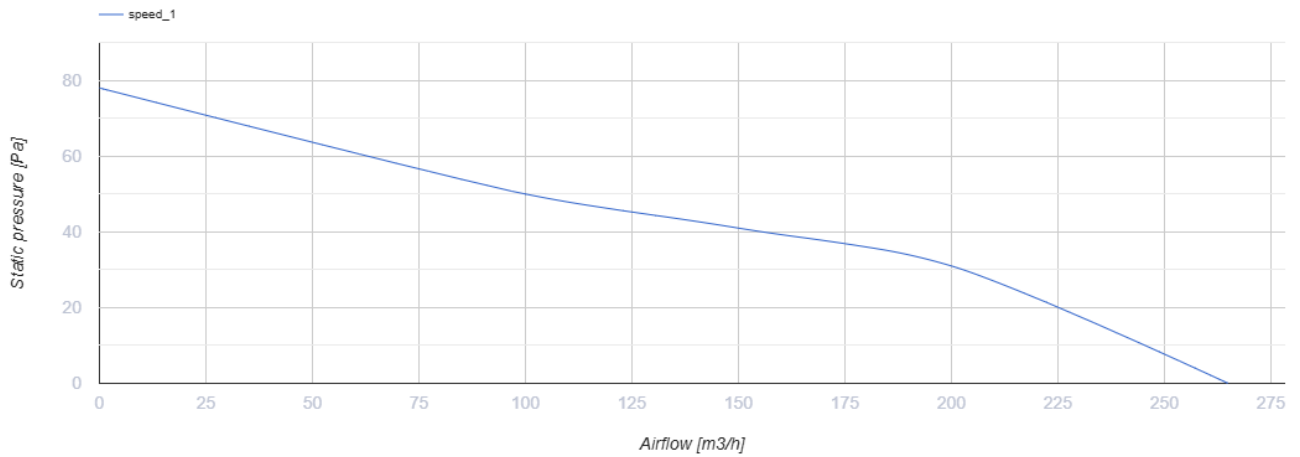
150 LD Light blue



Axial decorative fans with LED lighting for extract ventilation

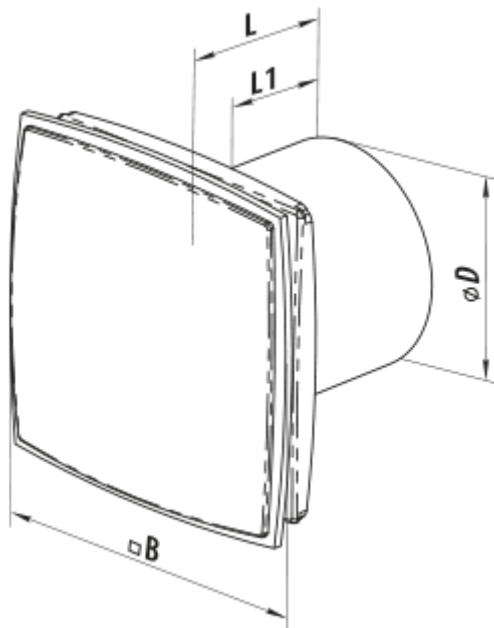
- Maximum airflow: 265
- Sound pressure level LpA at 3 m: 37
- Motor type: AC
- Casing material: Polypropylene/Thermoplastic elastomer

	Unit of measurement	150 LD Light blue
Connected air duct size	mm	150
Speed	-	1
Minimum supply voltage	V	220
Maximum supply voltage	V	240
Power supply frequency	Hz	50
Rated power	W	24
Unit current	A	0.13
Maximum airflow	m ³ /h	265
Sound pressure level LpA at 3 m	dB(A)	37
Weight	kg	1.14
Ambient air temperature min	°C	1
Ambient air temperature max	°C	40
Ingress protection rating	-	IP34




Dimensions

Ø D	B	L	L1
150	216	154	118



Accessories

Flanges

Name	Photo	Description
FO 150		The window flange applicable for all VENTS fans except for VKO, VKO1, iFan, Quiet, MAO, CF