

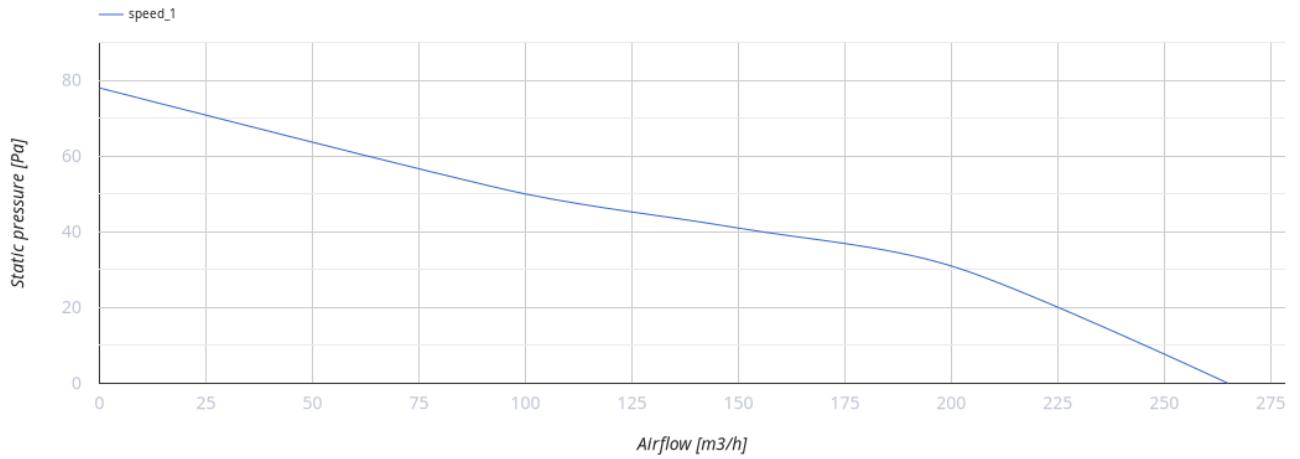
150 LD T K



Axial decorative fans for extract ventilation with panels

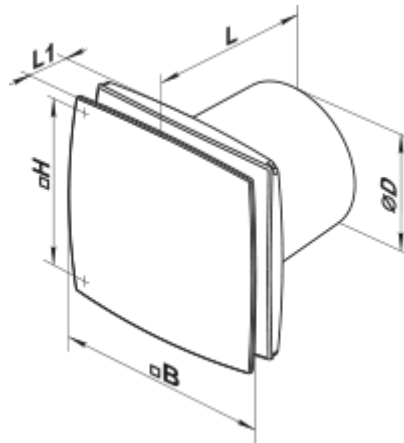
- Maximum airflow: 265
- Sound pressure level LpA at 3 m: 37
- Motor type: AC
- Casing material: Plastic
- Backdraft protection: Backdraft damper
- Timer: Turn off timer

| | Unit of measurement | 150 LD T K |
|---------------------------------|---------------------|------------|
| Connected air duct size | mm | 150 |
| Speed | - | 1 |
| Minimum supply voltage | V | 220 |
| Maximum supply voltage | V | 240 |
| Power supply frequency | Hz | 50 |
| Rated power | W | 24 |
| Unit current | A | 0.13 |
| Maximum airflow | m ³ /h | 265 |
| Sound pressure level LpA at 3 m | dB(A) | 37 |
| Weight | kg | 0.96 |
| Ambient air temperature min | °C | 1 |
| Ambient air temperature max | °C | 40 |
| Ingress protection rating | - | IP34 |



Dimensions

| ØD | B | H | L | L1 |
|-----|-----|-----|-----|----|
| 150 | 206 | 165 | 154 | 36 |

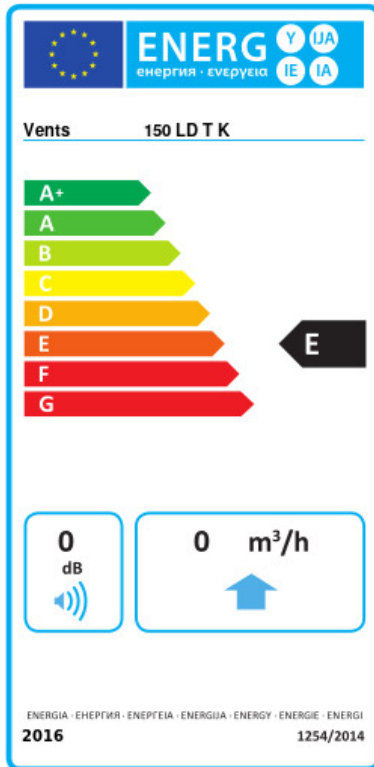


Accessories

Flanges

| Name | Photo | Description |
|------------------------|-------|--|
| FO 150 | | The window flange applicable for all VENTS fans except for VKO, VKO1, iFan, Quiet, MAO, CF |
| KO 150 | | Back valve is designed for domestic fan series VENTS M, M1, D, S, M3, X, X1, LD, LD Fresh time, Silenta-M, Silenta-S, Modern, Vitro star, Z star, X star |

Ecodesign



| | | | | | | |
|--|----------------|---|---------|---|------|---|
| Trademark | Vents | | | | | |
| Model | 150 LD T K | | | | | |
| Specific energy consumption (SEC) (kWh/(m²/a)) | Cold | | Average | | Warm | |
| | -30.7 | B | -14.3 | E | -4.9 | F |
| Type of ventilation unit | Unidirectional | | | | | |
| Type of drive installed | Single speed | | | | | |
| Type of heat recovery system | None | | | | | |
| Maximum flow rate (m³/h) | 265 | | | | | |
| Electric power input (W) | 24 | | | | | |
| Reference flow rate (m³/s) | 0.052 | | | | | |
| Specific power input (SPI) (W/(m³/h)) | 0.091 | | | | | |
| Control typology | Manual control | | | | | |
| Maximum external leakage rates (%) | 2.7 | | | | | |
| Declared typology | RVU UVU | | | | | |
| Sound power level (dB(A)) | 57 | | | | | |
| The annual electricity consumption (AEC) (kWh/a) | Cold | | Average | | Warm | |
| | 113 | | 113 | | 113 | |
| The annual heating saved (AHS) (kWh/a) | Cold | | Average | | Warm | |
| | 3355 | | 1715 | | 776 | |