

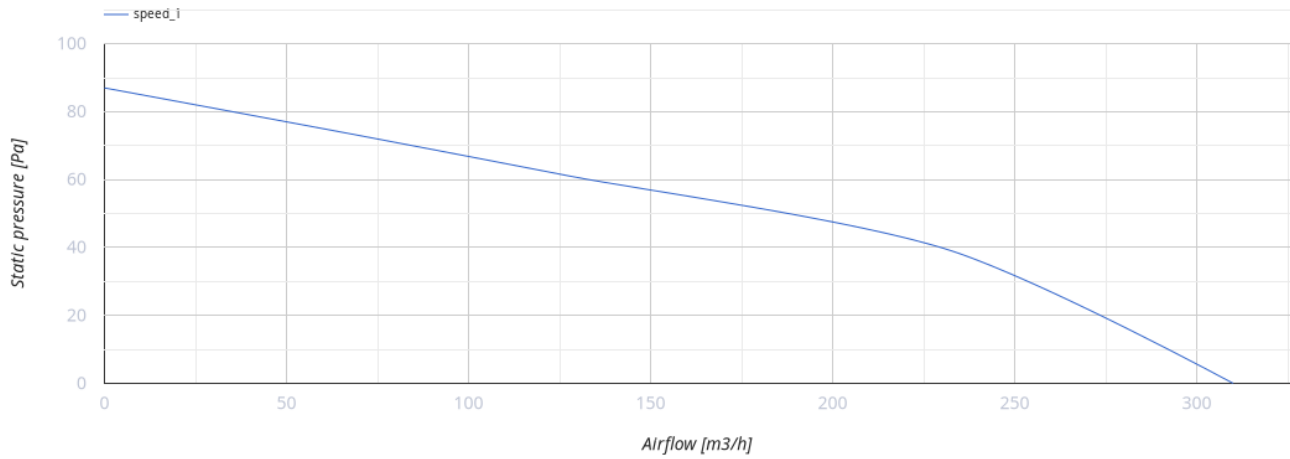
150 LD T L turbo



Axial decorative fans for extract ventilation with panels

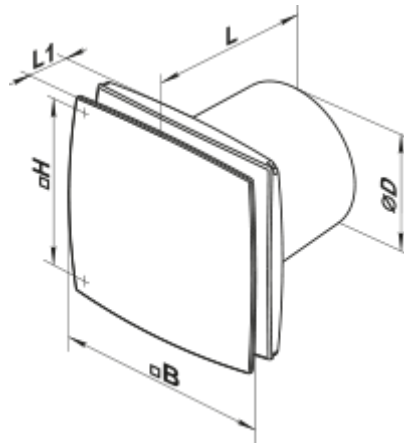
- Maximum airflow: 310
- Sound pressure level LpA at 3 m: 39
- Motor type: AC
- Casing material: Plastic
- Timer: Turn off timer

	Unit of measurement	150 LD T L turbo
Connected air duct size	mm	150
Speed	-	1
Minimum supply voltage	V	220
Maximum supply voltage	V	240
Power supply frequency	Hz	50
Rated power	W	29
Unit current	A	0.13
Maximum airflow	m ³ /h	310
Sound pressure level LpA at 3 m	dB(A)	39
Weight	kg	1.1
Ambient air temperature min	°C	1
Ambient air temperature max	°C	40
Ingress protection rating	-	IP34



Dimensions

∅D	B	H	L	L1
150	206	165	154	36

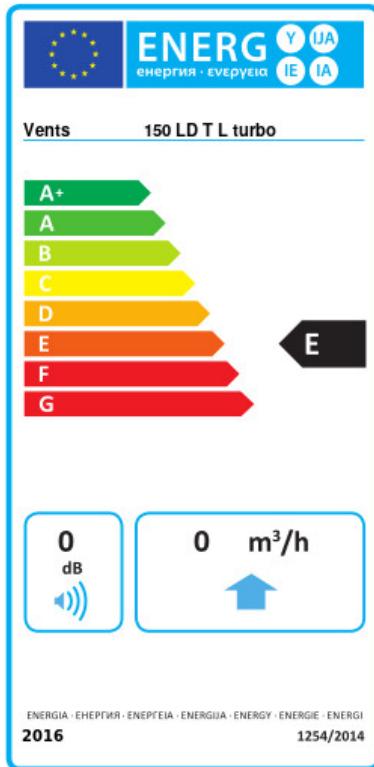


Accessories

Flanges

Name	Photo	Description
FO 150		The window flange applicable for all VENTS fans except for VKO, VKO1, iFan, Quiet, MAO, CF
KO 150		Back valve is designed for domestic fan series VENTS M, M1, D, S, M3, X, X1, LD, LD Fresh time, Silenta-M, Silenta-S, Modern, Vitro star, Z star, X star

Ecodesign



Trademark	Vents		
Model	150 LD T L turbo		
Specific energy consumption (SEC) (kWh/(m²/a))	Cold	Average	Warm
	0 B	0 E	0 F
Type of ventilation unit	Unidirectional		
Type of drive installed	Single speed		
Type of heat recovery system	None		
Maximum flow rate (m³/h)	0		
Electric power input (W)	0		
Reference flow rate (m³/s)	0		
Specific power input (SPI) (W/(m³/h))	0		
Control typology	Manual control		
Maximum external leakage rates (%)	0		
Declared typology	RVU UVU		
Sound power level (dB(A))	0		
The annual electricity consumption (AEC) (kWh/a)	Cold	Average	Warm
	0	0	0
The annual heating saved (AHS) (kWh/a)	Cold	Average	Warm
	0	0	0