

# 150 LD TH 12



Axial decorative fans for exhaust ventilation

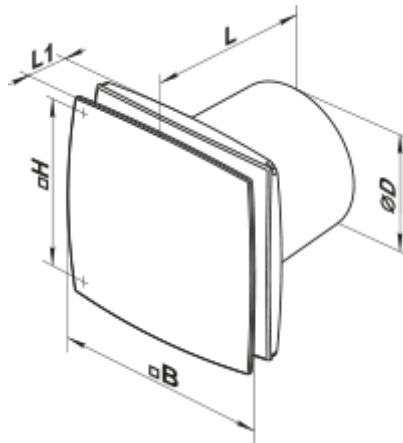
- Maximum airflow: 236
- Sound pressure level LpA at 3 m: 36
- Motor type: AC
- Casing material: Plastic
- Humidity sensor
- Timer: Turn off timer

	Unit of measurement	150 LD TH 12
Connected air duct size	mm	150
Speed	-	1
Minimum supply voltage	V	12
Maximum supply voltage	V	12
Power supply frequency	Hz	50
Rated power	W	29
Unit current	A	2
Maximum airflow	m <sup>3</sup> /h	236
Sound pressure level LpA at 3 m	dB(A)	36
Weight	kg	0.92
Ambient air temperature min	°C	1
Ambient air temperature max	°C	40
Ingress protection rating	-	IP34
ErP compliance	-	2016, 2018
Cold - Specific energy consumption (SEC)	kWh/(m <sup>2</sup> /a)	52.9
SEC Class Cold	-	A+
Average - Specific energy consumption (SEC)	kWh/(m <sup>2</sup> /a)	25.8
SEC Class Average	-	C
Warm - Specific energy consumption (SEC)	kWh/(m <sup>2</sup> /a)	10.3
SEC Class Warm	-	E
Unit category	-	RVU

Type of ventilation unit	-	Unidirectional
Type of drive installed	-	Single speed
Type of heat recovery system	-	None
Maximum flow rate	m <sup>3</sup> /h	236
Electric power input	W	29
Reference flow rate	m <sup>3</sup> /s	0.046
Specific power input (SPI)	W/(m <sup>3</sup> /h)	0.123
Control typology	-	Local demand control
Maximum external leakage rates	%	2.7
Cold - The annual electricity consumption (AEC)	kWh/a	100
Average - The annual electricity consumption (AEC)	kWh/a	100
Warm - Jährlicher Stromverbrauch (JSV)	kWh/a	100
Cold - The annual heating saved (AHS)	kWh/a	5536
The annual heating saved (AHS) Average	kWh/a	2830
The annual heating saved (AHS) Warm	kWh/a	1280
Sound power level	dB(A)	56
Declared typology	-	RVU UVU


## Dimensions

ØD	B	H	L	L1
150	206	165	154	36



## Accessories

### Cooker Hoods

Name	Photo	Description
<a href="#">FO 150</a>		The window flange applicable for all VENTS fans except for VKO, VKO1, iFan, Quiet, MAO, CF

[KO 150](#)

Back valve is designed for domestic fan series VENTS M, M1, D, S, M3, X, X1, LD, LD  
Fresh time, Silenta-M, Silenta-S, Modern, Vitro star, Z star, X star