

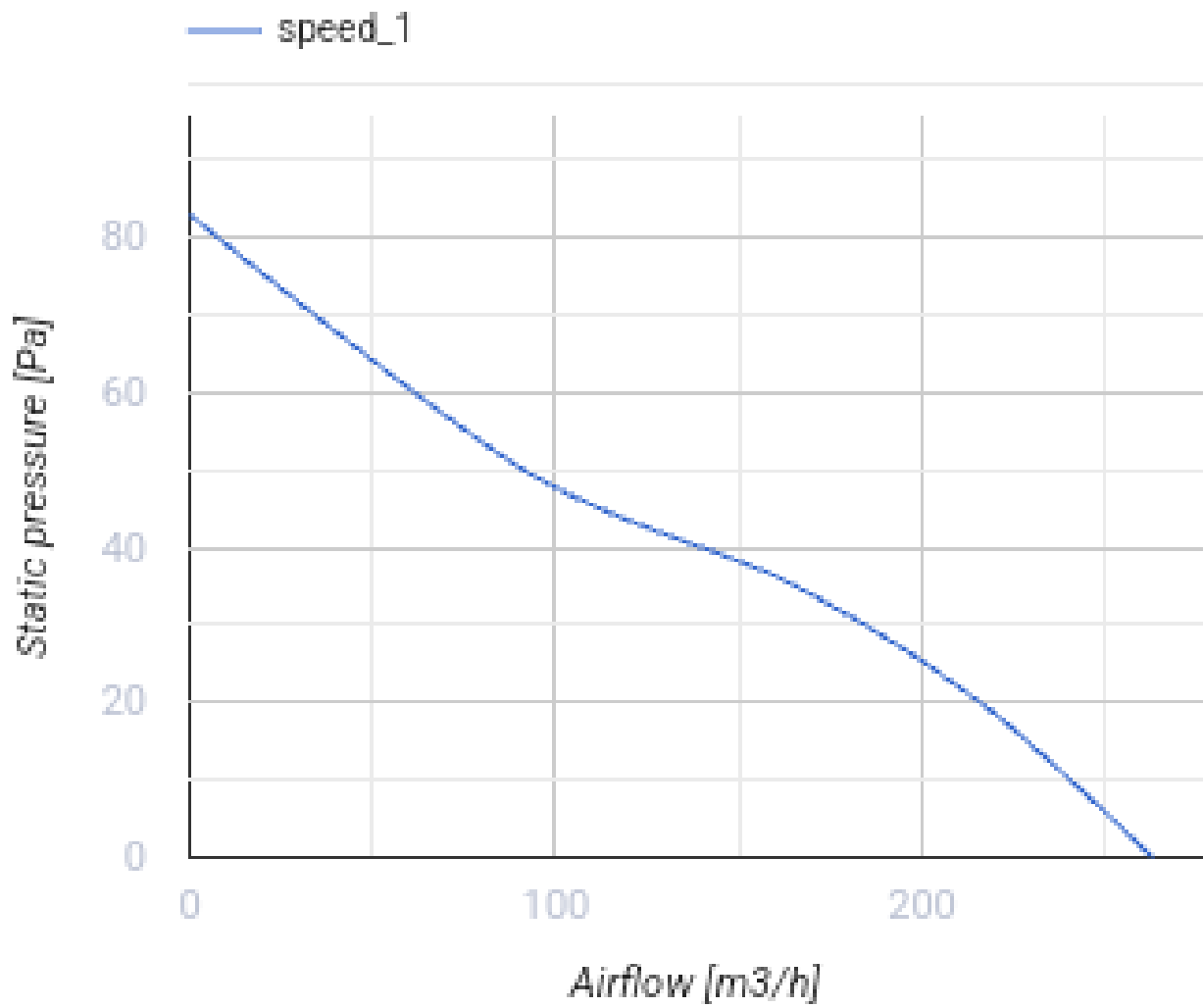
150 M 12



Axial fans for exhaust ventilation

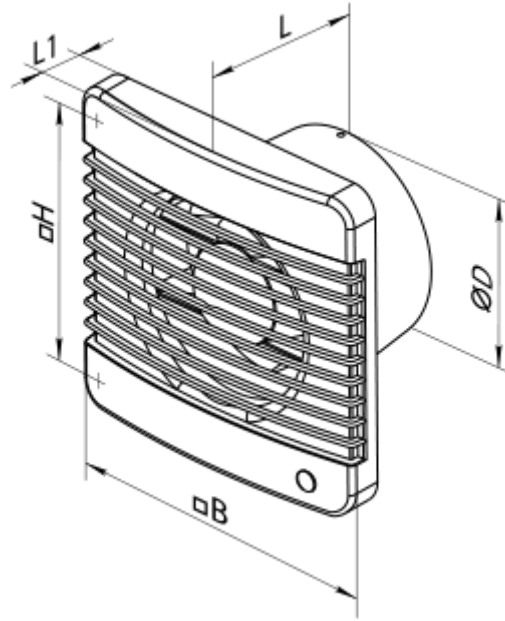
- Maximum airflow: 263
- Sound pressure level LpA at 3 m: 38
- Motor type: AC
- Casing material: Plastic

	Unit of measurement	150 M 12
Connected air duct size	mm	150
Speed	-	1
Minimum supply voltage	V	12
Maximum supply voltage	V	12
Power supply frequency	Hz	50
Rated power	W	29
Unit current	A	2
Maximum airflow	m ³ /h	263
Sound pressure level LpA at 3 m	dB(A)	38
Weight	kg	0.89
Ambient air temperature min	°C	1
Ambient air temperature max	°C	40
Ingress protection rating	-	IP34





Dimensions

∅D	B	H	L	L1
150	206	182	106	25.5



Accessories

Flanges

Name	Photo	Description
FO 150		The window flange applicable for all VENTS fans except for VKO, VKO1, iFan, Quiet, MAO, CF
KO 150		Back valve is designed for domestic fan series VENTS M, M1, D, S, M3, X, X1, LD, LD Fresh time, Silenta-M, Silenta-S, Modern, Vitro star, Z star, X star

Ecodesign



Trademark	Vents					
Model	150 M 12					
Specific energy consumption (SEC) (kWh/(m ² /a))	Cold		Average		Warm	
	-30.1	B	-13.7	E	-4.3	F
Type of ventilation unit	Unidirectional					
Type of drive installed	Single speed					
Type of heat recovery system	None					
Maximum flow rate (m ³ /h)	263					
Electric power input (W)	29					
Reference flow rate (m ³ /s)	0.051					
Specific power input (SPI) (W/(m ³ /h))	0.11					
Control typology	Manual control					
Maximum external leakage rates (%)	2.7					
Declared typology	RVU UVU					
Sound power level (dB(A))	58					
The annual electricity consumption (AEC) (kWh/a)	Cold		Average		Warm	
	138		138		138	
The annual heating saved (AHS) (kWh/a)	Cold		Average		Warm	
	3355		1715		776	