

150 M K turbo



Axial fans for exhaust ventilation

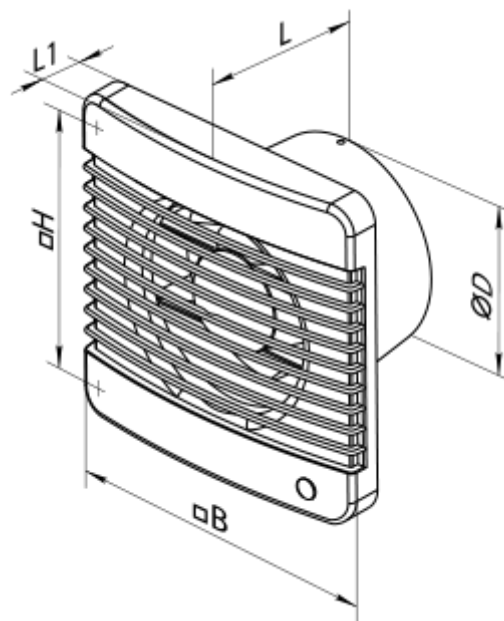
- Maximum airflow: 345
- Sound pressure level LpA at 3 m: 41
- Motor type: AC
- Casing material: Plastic
- Backdraft protection: Backdraft damper

	Unit of measurement	150 M K turbo
Connected air duct size	mm	150
Speed	-	1
Minimum supply voltage	V	220
Maximum supply voltage	V	240
Power supply frequency	Hz	50
Rated power	W	29
Unit current	A	0.13
Maximum airflow	m ³ /h	345
Sound pressure level LpA at 3 m	dB(A)	41
Weight	kg	0.93
Ambient air temperature min	°C	1
Ambient air temperature max	°C	40
Ingress protection rating	-	IP34
ErP compliance	-	2016
Cold - Specific energy consumption (SEC)	kWh/(m ² /a)	0
SEC Class Cold	-	B
Average - Specific energy consumption (SEC)	kWh/(m ² /a)	0
SEC Class Average	-	E
Warm - Specific energy consumption (SEC)	kWh/(m ² /a)	0
SEC Class Warm	-	F
Unit category	-	RVU

Type of ventilation unit	-	Unidirectional
Type of drive installed	-	Single speed
Type of heat recovery system	-	None
Maximum flow rate	m ³ /h	0
Electric power input	W	0
Reference flow rate	m ³ /s	0
Specific power input (SPI)	W/(m ³ /h)	0
Control typology	-	Manual control
Maximum external leakage rates	%	0
Cold - The annual electricity consumption (AEC)	kWh/a	0
Average - The annual electricity consumption (AEC)	kWh/a	0
Warm - Jährlicher Stromverbrauch (JSV)	kWh/a	0
Cold - The annual heating saved (AHS)	kWh/a	0
The annual heating saved (AHS) Average	kWh/a	0
The annual heating saved (AHS) Warm	kWh/a	0
Sound power level	dB(A)	0
Declared typology	-	RVU UVU



Dimensions

∅D	B	H	L	L1
150	206	182	106	25.5



Accessories

Cooker Hoods

Name	Photo	Description
FO 150		The window flange applicable for all VENTS fans except for VKO, VKO1, iFan, Quiet, MAO, CF
KO 150		Back valve is designed for domestic fan series VENTS M, M1, D, S, M3, X, X1, LD, LD Fresh time, Silenta-M, Silenta-S, Modern, Vitro star, Z star, X star