

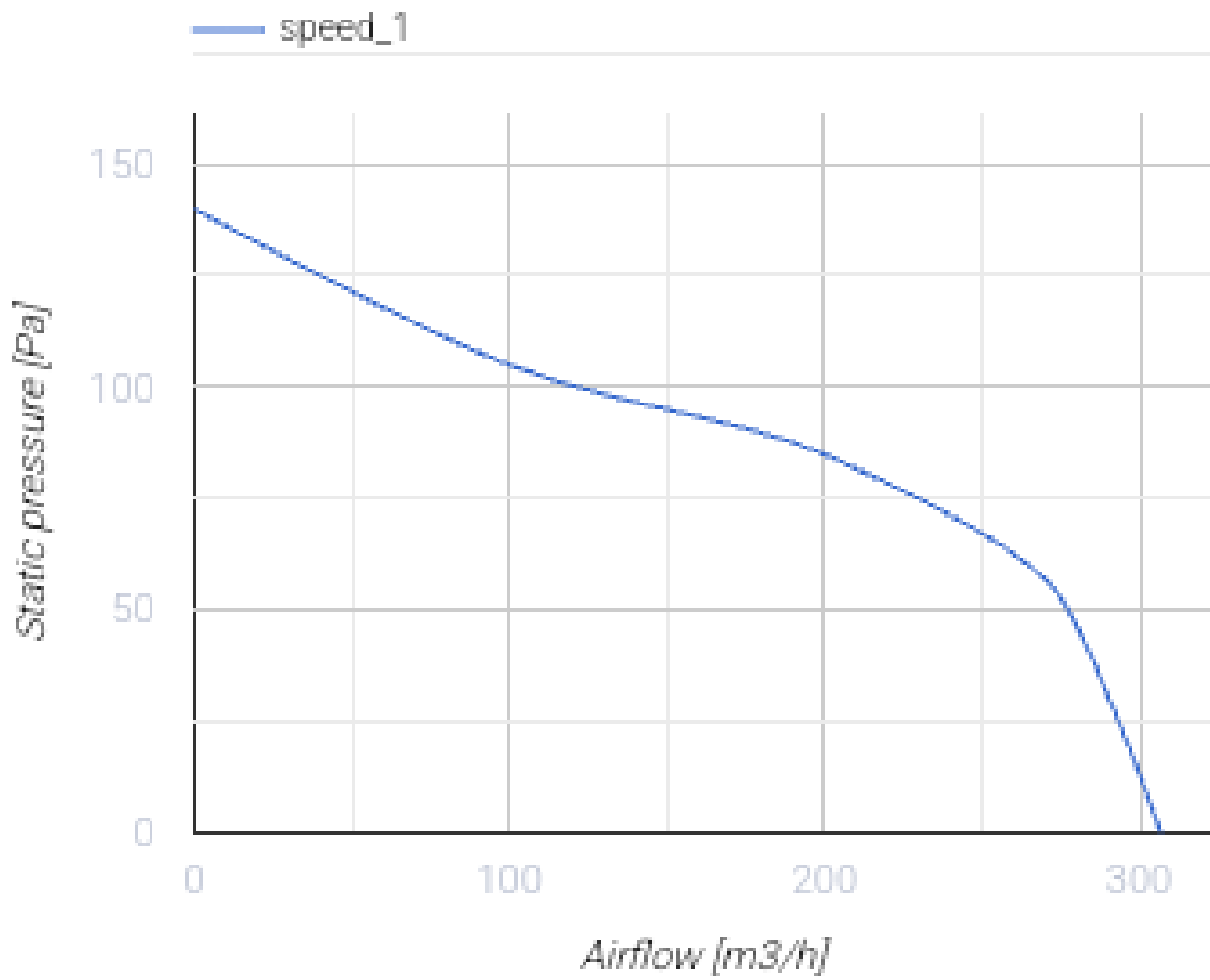
# 150 M3 press



High-performance axial extract fans

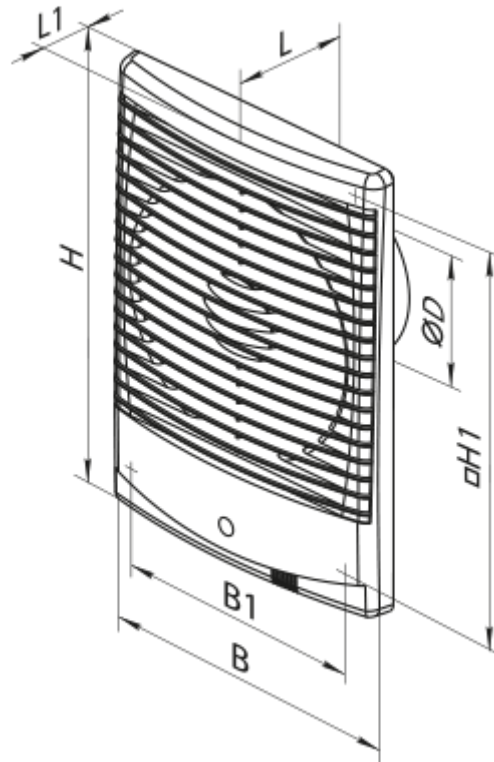
- Maximum airflow: 307
- Sound pressure level LpA at 3 m: 41
- Motor type: AC
- Casing material: Plastic

	Unit of measurement	150 M3 press
Connected air duct size	mm	150
Speed	-	1
Minimum supply voltage	V	220
Maximum supply voltage	V	240
Power supply frequency	Hz	50
Rated power	W	29
Unit current	A	0.13
Maximum airflow	m <sup>3</sup> /h	307
Sound pressure level LpA at 3 m	dB(A)	41
Weight	kg	1.03
Ambient air temperature min	°C	1
Ambient air temperature max	°C	40
Ingress protection rating	-	IP34





## Dimensions

∅D	B	B1	H	H1	L	L1
150	185	155	256	226	114	30

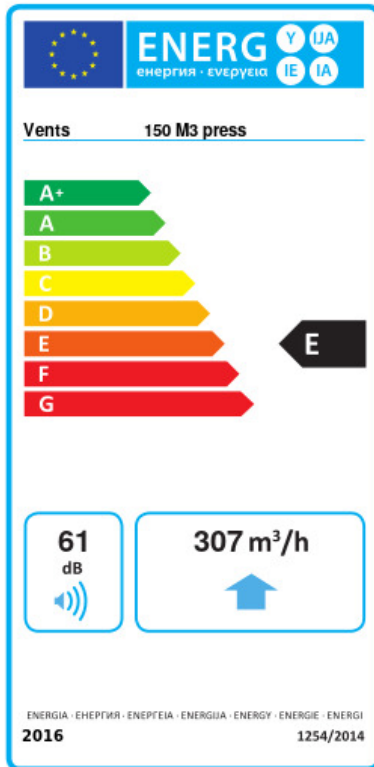


## Accessories

### Flanges

Name	Photo	Description
<a href="#">FO 150</a>		The window flange applicable for all VENTS fans except for VKO, VKO1, iFan, Quiet, MAO, CF
<a href="#">KO 150</a>		Back valve is designed for domestic fan series VENTS M, M1, D, S, M3, X, X1, LD, LD Fresh time, Silenta-M, Silenta-S, Modern, Vitro star, Z star, X star

## Ecodesign



Trademark	Vents					
Model	150 M3 press					
Specific energy consumption (SEC) (kWh/(m <sup>2</sup> /a))	Cold		Average		Warm	
	-32	B	-15	E	-6	F
Type of ventilation unit	Unidirectional					
Type of drive installed	Multi-speed					
Type of heat recovery system	None					
Maximum flow rate (m <sup>3</sup> /h)	307					
Electric power input (W)	29					
Reference flow rate (m <sup>3</sup> /s)	0.06					
Specific power input (SPI) (W/(m <sup>3</sup> /h))	0.061					
Control typology	Manual control					
Maximum external leakage rates (%)	2.7					
Declared typology	RVU UVU					
Sound power level (dB(A))	61					
The annual electricity consumption (AEC) (kWh/a)	Cold		Average		Warm	
	100		100		100	
The annual heating saved (AHS) (kWh/a)	Cold		Average		Warm	
	3400		1700		800	