

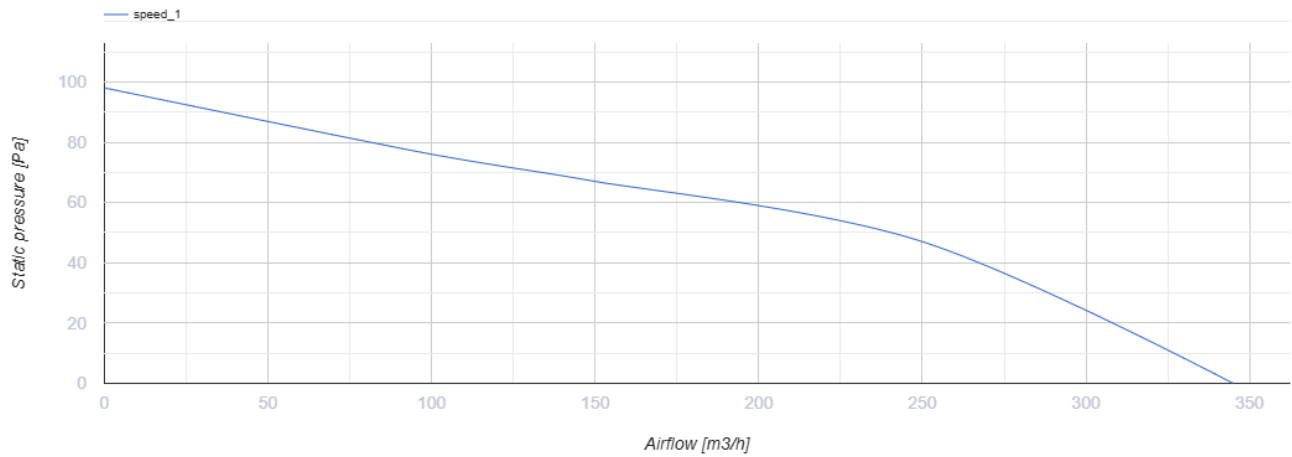
150 MA T L turbo



Axial fans with automatic louver shutters for exhaust ventilation

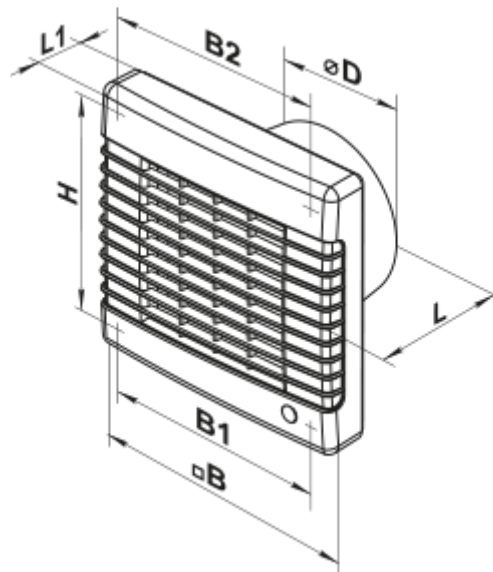
- Maximum airflow: 345
- Sound pressure level LpA at 3 m: 41
- Motor type: AC
- Casing material: Polypropylene/Thermoplastic elastomer
- Timer: Turn off timer

	Unit of measurement	150 MA T L turbo
Connected air duct size	mm	150
Speed	-	1
Minimum supply voltage	V	220
Maximum supply voltage	V	240
Power supply frequency	Hz	50
Rated power	W	32
Unit current	A	0.13
Maximum airflow	m ³ /h	345
Sound pressure level LpA at 3 m	dB(A)	41
Weight	kg	0.99
Ambient air temperature min	°C	1
Ambient air temperature max	°C	40
Ingress protection rating	-	IP24




Dimensions

ØD	B	B1	B2	H	L	L1
150	212	196	150	195	114	33



Accessories

Flanges

Name	Photo	Description
FO 150		The window flange applicable for all VENTS fans except for VKO, VKO1, iFan, Quiet, MAO, CF