

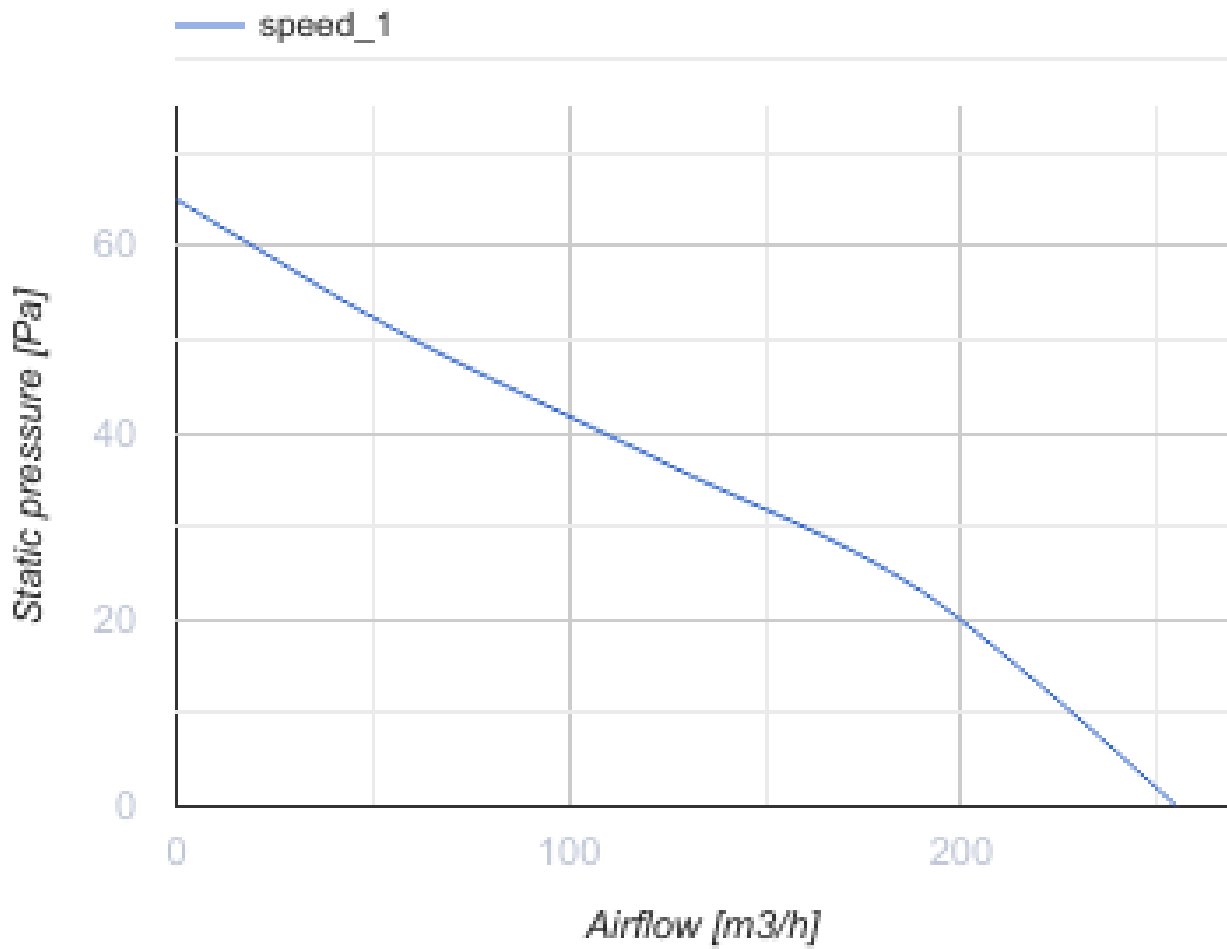
# 150 MF T



Low-noise and energy saving axial fan for exhaust ventilation

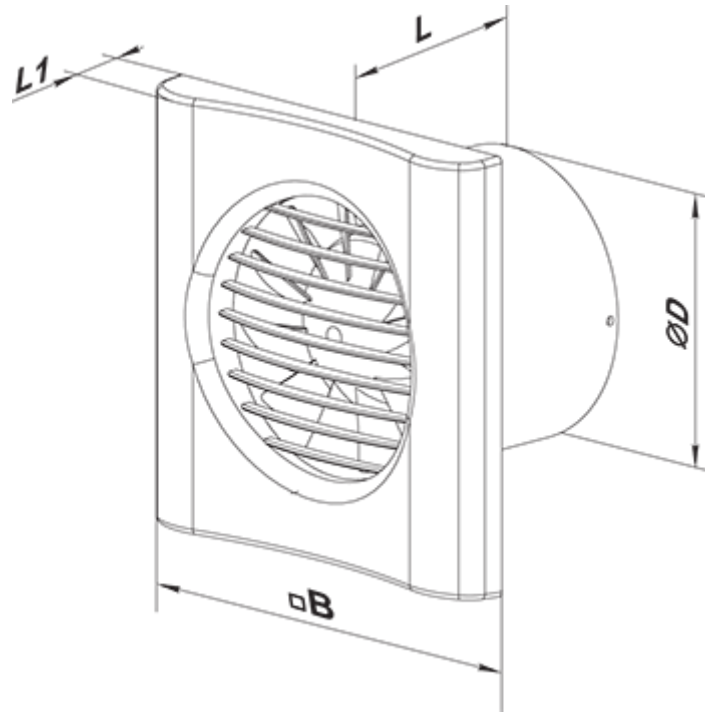
- Maximum airflow: 255
- Sound pressure level LpA at 3 m: 35
- Motor type: AC
- Casing material: Polypropylene/Thermoplastic elastomer
- Backdraft protection: Backdraft damper
- Timer: Turn off timer

	Unit of measurement	150 MF T
Connected air duct size	mm	150
Speed	-	1
Minimum supply voltage	V	220
Maximum supply voltage	V	240
Power supply frequency	Hz	50
Rated power	W	28
Unit current	A	0.21
Maximum airflow	m <sup>3</sup> /h	255
Sound pressure level LpA at 3 m	dB(A)	35
Weight	kg	0.97
Ambient air temperature min	°C	1
Ambient air temperature max	°C	40
Ingress protection rating	-	IP44




### Dimensions

ØD	B	L	L1
148	205	112	23

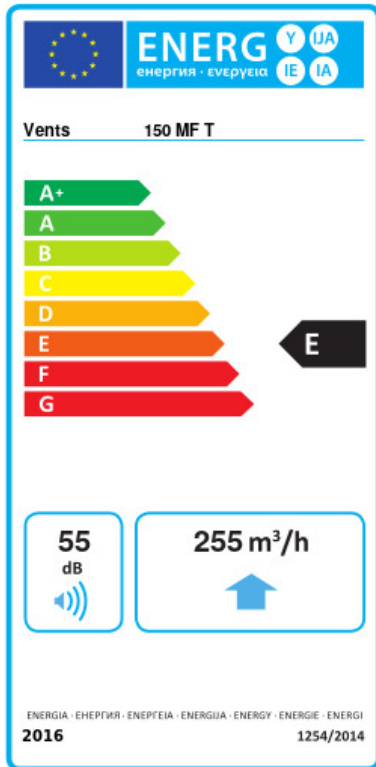


## Accessories

### Flanges

Name	Photo	Description
<a href="#">FO 150</a>		The window flange applicable for all VENTS fans except for VKO, VKO1, iFan, Quiet, MAO, CF

## Ecodesign



Trademark	Vents					
Model	150 MF T					
Specific energy consumption (SEC) (kWh/(m <sup>2</sup> /a))	Cold		Average		Warm	
	-33.4	B	-15.5	E	-5.2	F
Type of ventilation unit	Unidirectional					
Type of drive installed	Single speed					
Type of heat recovery system	None					
Maximum flow rate (m <sup>3</sup> /h)	255					
Electric power input (W)	28					
Reference flow rate (m <sup>3</sup> /s)	0.05					
Specific power input (SPI) (W/(m <sup>3</sup> /h))	0.11					
Control typology	Clock control					
Maximum external leakage rates (%)	2.7					
Declared typology	RVU UVU					
Sound power level (dB(A))	55					
The annual electricity consumption (AEC) (kWh/a)	Cold		Average		Warm	
	131		131		131	
The annual heating saved (AHS) (kWh/a)	Cold		Average		Warm	
	3667		1874		848	