

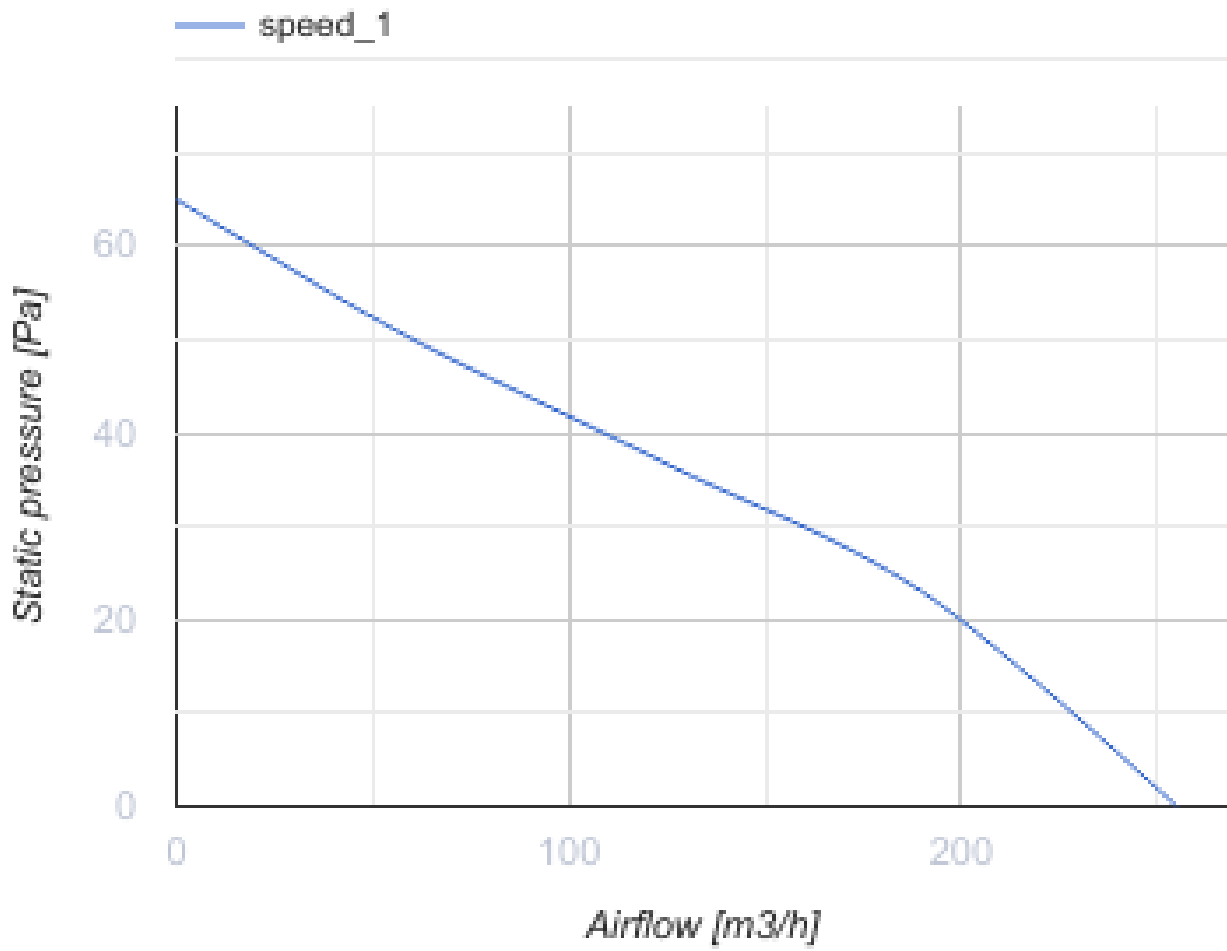
150 MF T L



Low-noise and energy saving axial fan for exhaust ventilation

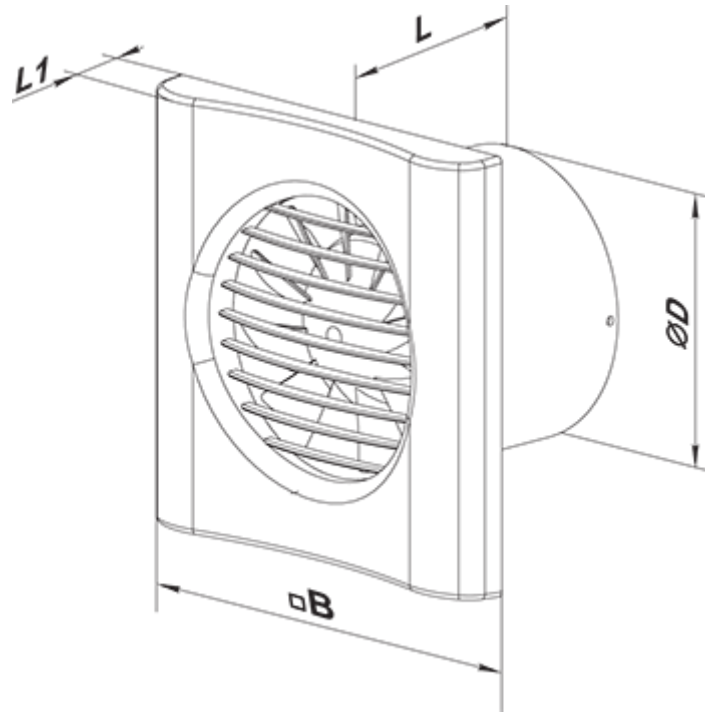
- Maximum airflow: 255
- Sound pressure level LpA at 3 m: 35
- Motor type: AC
- Casing material: Polypropylene/Thermoplastic elastomer
- Backdraft protection: Backdraft damper
- Timer: Turn off timer

| | Unit of measurement | 150 MF T L |
|---------------------------------|---------------------|------------|
| Connected air duct size | mm | 150 |
| Speed | - | 1 |
| Minimum supply voltage | V | 220 |
| Maximum supply voltage | V | 240 |
| Power supply frequency | Hz | 50 |
| Rated power | W | 28 |
| Unit current | A | 0.21 |
| Maximum airflow | m ³ /h | 255 |
| Sound pressure level LpA at 3 m | dB(A) | 35 |
| Weight | kg | 0.97 |
| Ambient air temperature min | °C | 1 |
| Ambient air temperature max | °C | 40 |
| Ingress protection rating | - | IP44 |




Dimensions

| ØD | B | L | L1 |
|-----|-----|-----|----|
| 148 | 205 | 112 | 23 |

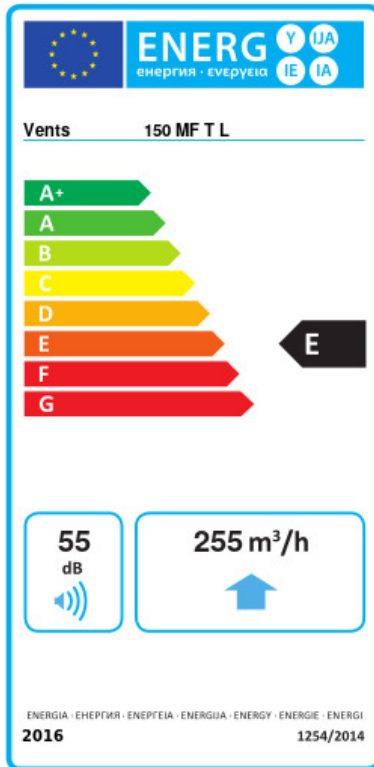


Accessories

Flanges

| Name | Photo | Description |
|------------------------|---|--|
| FO 150 |  | The window flange applicable for all VENTS fans except for VKO, VKO1, iFan, Quiet, MAO, CF |

Ecodesign



| | | | | | | |
|---|----------------|---|---------|---|------|---|
| Trademark | Vents | | | | | |
| Model | 150 MFT L | | | | | |
| Specific energy consumption (SEC) (kWh/(m ² /a)) | Cold | | Average | | Warm | |
| | -33.4 | B | -15.5 | E | -5.2 | F |
| Type of ventilation unit | Unidirectional | | | | | |
| Type of drive installed | Single speed | | | | | |
| Type of heat recovery system | None | | | | | |
| Maximum flow rate (m ³ /h) | 255 | | | | | |
| Electric power input (W) | 28 | | | | | |
| Reference flow rate (m ³ /s) | 0.05 | | | | | |
| Specific power input (SPI) (W/(m ³ /h)) | 0.11 | | | | | |
| Control typology | Clock control | | | | | |
| Maximum external leakage rates (%) | 2.7 | | | | | |
| Declared typology | RVU UVU | | | | | |
| Sound power level (dB(A)) | 55 | | | | | |
| The annual electricity consumption (AEC) (kWh/a) | Cold | | Average | | Warm | |
| | 131 | | 131 | | 131 | |
| The annual heating saved (AHS) (kWh/a) | Cold | | Average | | Warm | |
| | 3667 | | 1874 | | 848 | |