

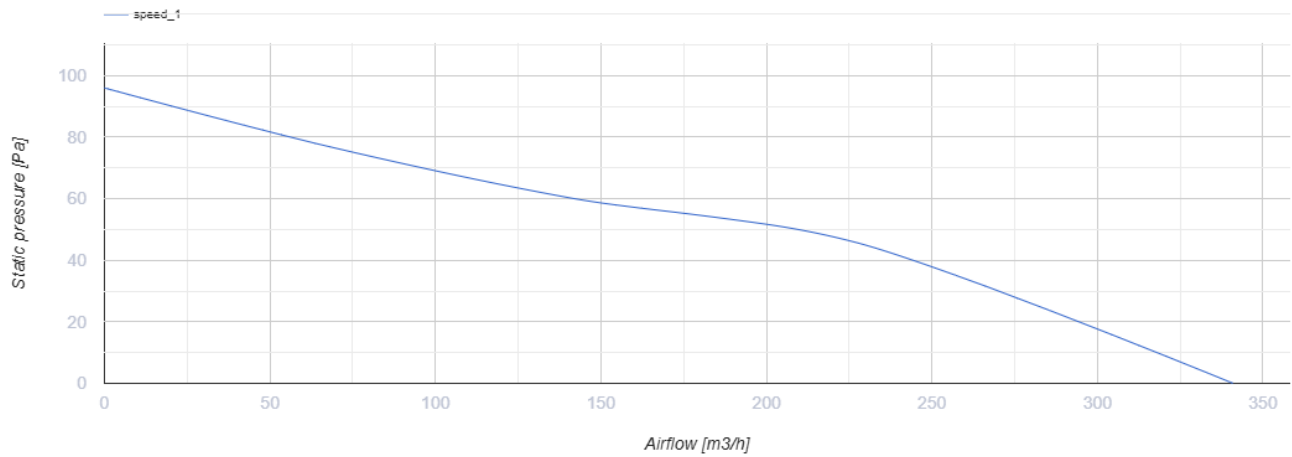
150 S turbo



Axial fans for exhaust ventilation

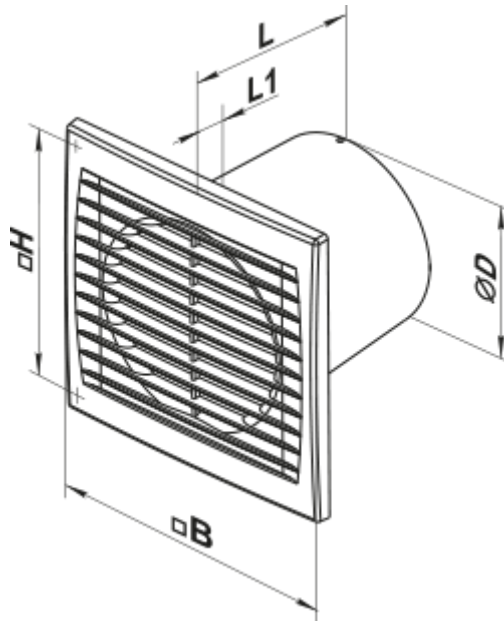
- Maximum airflow: 341
- Sound pressure level LpA at 3 m: 40
- Motor type: AC
- Casing material: Polypropylene/Thermoplastic elastomer

	Unit of measurement	150 S turbo
Connected air duct size	mm	150
Speed	-	1
Minimum supply voltage	V	220
Maximum supply voltage	V	240
Power supply frequency	Hz	50
Rated power	W	30
Unit current	A	0.13
Maximum airflow	m ³ /h	341
Sound pressure level LpA at 3 m	dB(A)	40
Weight	kg	1.13
Ambient air temperature min	°C	1
Ambient air temperature max	°C	40
Ingress protection rating	-	IP34



Dimensions

Ø D	B	H	L	L1
150	205	165	132	14



Accessories

Flanges

Name	Photo	Description
FO 150		The window flange applicable for all VENTS fans except for VKO, VKO1, iFan, Quiet, MAO, CF

[KO 150](#)

Back valve is designed for domestic fan series VENTS M, M1, D, S, M3, X, X1, LD, LD
Fresh time, Silenta-M, Silenta-S, Modern, Vitro star, Z star, X star

Ecodesign



Trademark	Vents					
Model	150 S turbo					
Specific energy consumption (SEC) (kWh/(m ² /a))	Cold		Average		Warm	
	-30.8	B	-14.4	E	-5	F
Type of ventilation unit	Unidirectional					
Type of drive installed	Single speed					
Type of heat recovery system	None					
Maximum flow rate (m ³ /h)	341					
Electric power input (W)	30					
Reference flow rate (m ³ /s)	0.066					
Specific power input (SPI) (W/(m ³ /h))	0.088					
Control typology	Manual control					
Maximum external leakage rates (%)	2.7					
Declared typology	RVU UVU					
Sound power level (dB(A))	60					
The annual electricity consumption (AEC) (kWh/a)	Cold		Average		Warm	
	110		110		110	
The annual heating saved (AHS) (kWh/a)	Cold		Average		Warm	
	3355		1715		776	