

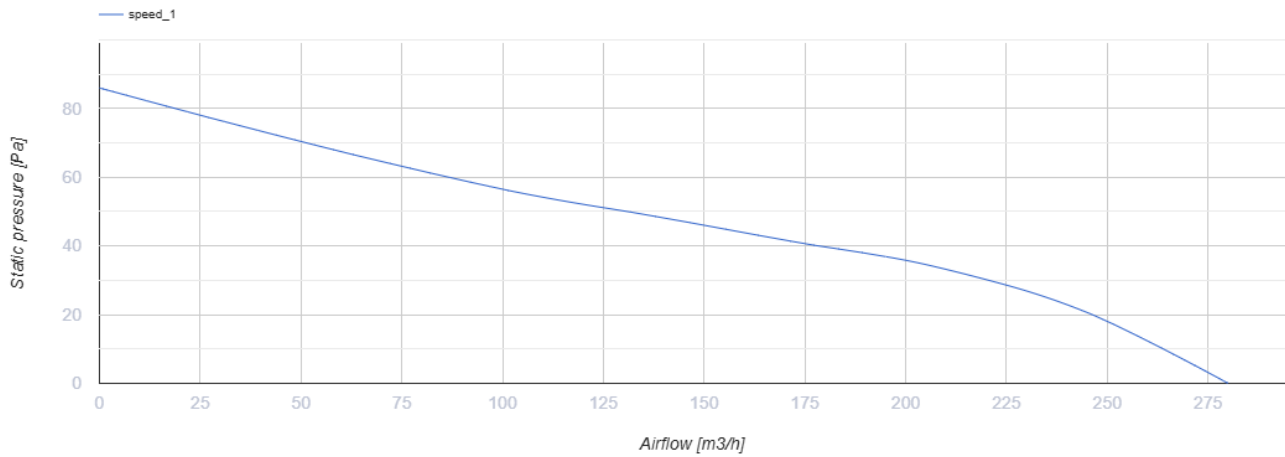
# 150 Simple T



Axial extract fans with thin front panels

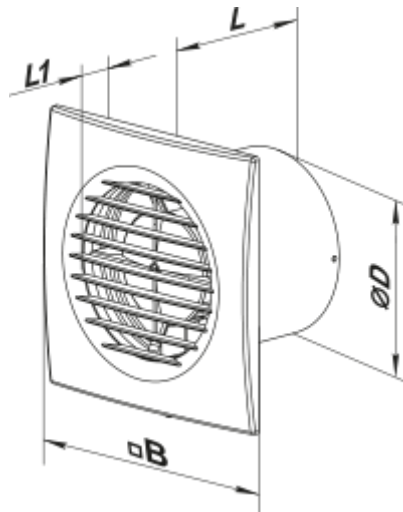
- Maximum airflow: 280
- Sound pressure level LpA at 3 m: 34
- Motor type: AC
- Casing material: Polypropylene/Thermoplastic elastomer
- Timer: Turn off timer

	Unit of measurement	150 Simple T
Connected air duct size	mm	150
Speed	-	1
Minimum supply voltage	V	220
Maximum supply voltage	V	240
Power supply frequency	Hz	50
Rated power	W	25
Unit current	A	0.17
Maximum airflow	m <sup>3</sup> /h	280
Sound pressure level LpA at 3 m	dB(A)	34
Weight	kg	0.92
Ambient air temperature min	°C	1
Ambient air temperature max	°C	40
Ingress protection rating	-	IP34



## Dimensions

$\varnothing D$	B	L	L1
150	205	117	15

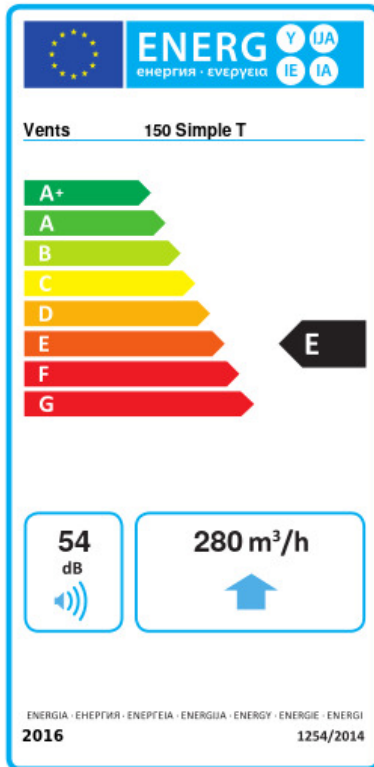


## Accessories

### Flanges

Name	Photo	Description
<a href="#">FO 150</a>		The window flange applicable for all VENTS fans except for VKO, VKO1, iFan, Quiet, MAO, CF

## Ecodesign



Trademark	Vents					
Model	150 Simple T					
Specific energy consumption (SEC) (kWh/(m <sup>2</sup> /a))	Cold	Average		Warm		
	-34	A	-16.1	E	-5.8	F
Type of ventilation unit	Unidirectional					
Type of drive installed	Single speed					
Type of heat recovery system	None					
Maximum flow rate (m <sup>3</sup> /h)	280					
Electric power input (W)	25					
Reference flow rate (m <sup>3</sup> /s)	0.054					
Specific power input (SPI) (W/(m <sup>3</sup> /h))	0.089					
Control typology	Clock control					
Maximum external leakage rates (%)	2.7					
Declared typology	RVU UVU					
Sound power level (dB(A))	54					
The annual electricity consumption (AEC) (kWh/a)	Cold	Average		Warm		
	106	106		106		
The annual heating saved (AHS) (kWh/a)	Cold	Average		Warm		
	3667	1874		848		