

Alta 100 T



Fans with automatic shutters for exhaust ventilation

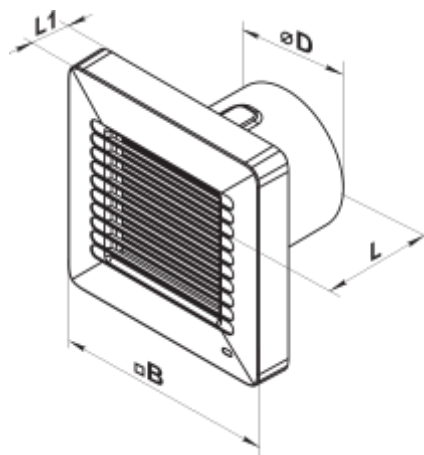
- Maximum airflow: 90
- Sound pressure level LpA at 3 m: 25
- Motor type: AC
- Impeller type: Mixed
- Casing material: ABS Plastic
- Backdraft protection: Automatic shutters
- Timer: Turn off timer

	Unit of measurement	Alta 100 T
Connected air duct size	mm	100
Speed	-	1
Minimum supply voltage	V	220
Maximum supply voltage	V	240
Power supply frequency	Hz	50
Rated power	W	11
Unit current	A	0.056
Maximum airflow	m ³ /h	90
Sound pressure level LpA at 3 m	dB(A)	25
Weight	kg	0.63
Transported air temperature (max)	°C	40
Transported air temperature (min)	°C	1
Ingress protection rating	-	IP24
ErP compliance	-	2016
Cold - Specific energy consumption (SEC)	kWh/(m ² /a)	33.4
SEC Class Cold	-	B
Average - Specific energy consumption (SEC)	kWh/(m ² /a)	15.4
SEC Class Average	-	E
Warm - Specific energy consumption (SEC)	kWh/(m ² /a)	5.2
SEC Class Warm	-	F
Unit category	-	RVU

Type of ventilation unit	-	Unidirectional
Type of drive installed	-	Single speed
Type of heat recovery system	-	None
Maximum flow rate	m ³ /h	90
Electric power input	W	10
Reference flow rate	m ³ /s	0.018
Specific power input (SPI)	W/(m ³ /h)	0.111
Control typology	-	Clock control
Maximum external leakage rates	%	2.7
Cold - The annual electricity consumption (AEC)	kWh/a	132
Average - The annual electricity consumption (AEC)	kWh/a	132
Warm - Jährlicher Stromverbrauch (JSV)	kWh/a	132
Cold - The annual heating saved (AHS)	kWh/a	3667
The annual heating saved (AHS) Average	kWh/a	1874
The annual heating saved (AHS) Warm	kWh/a	848
Sound power level	dB(A)	45
Declared typology	-	RVU UVU

Dimensions

D	B	L	L1
99	168	110	29



Accessories

Cooker Hoods

Name	Photo	Description
------	-------	-------------

[FO_100](#)



The window flange applicable for all VENTS fans except for VKO, VKO1, iFan, Quiet, MAO, CF