

## AOE 12

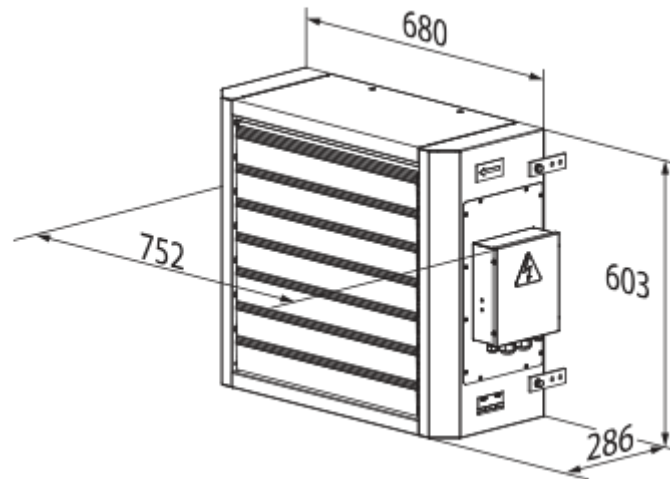


Air heating units with electric heaters for air heating of various premises

- Maximum airflow: 2300
- Sound pressure level LpA at 3 m: 55
- Motor type: AC
- Casing material: Coated steel

	Unit of measurement	AOE 12
Phases	-	3
Minimum supply voltage	V	400
Maximum supply voltage	V	400
Power supply frequency	Hz	50
Rated power	W	140
Unit current	A	0.61
Maximum airflow	m <sup>3</sup> /h	2300
Sound pressure level LpA at 3 m	dB(A)	55
Weight	kg	32
Ingress protection rating	-	IP21

### Dimensions






## Accessories

### Temperature regulators

Name	Photo	Description
<a href="#">TST-1-300</a>		Temperature regulator
<a href="#">TSTD-1-300</a>		Temperature regulator
<a href="#">RTS-1-400</a>		Temperature regulator
<a href="#">RTSD-1-400</a>		Temperature regulator

### Other accessories

Name	Photo	Description
UET-15D		Control unit
MKP-AOW		Mounting angles
MK-AOW 25		Mounting brackets